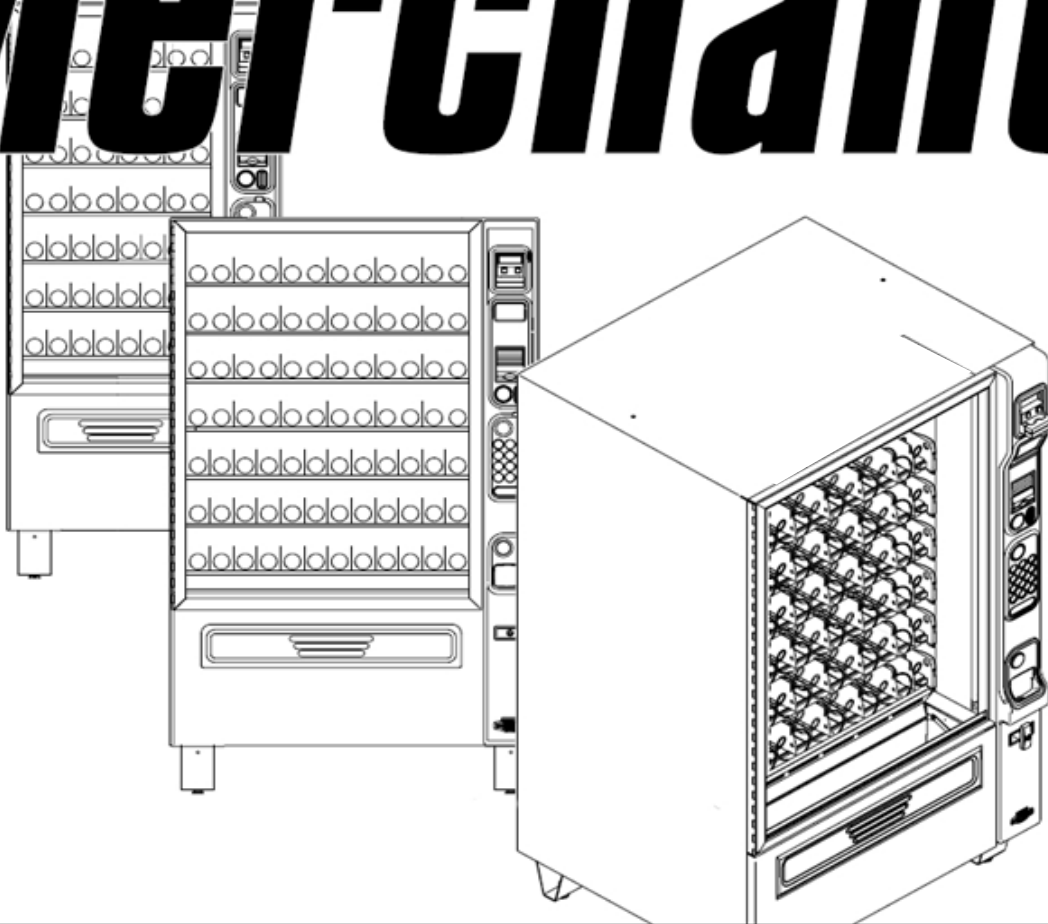


MODELS 448,449,948,949



Merchant™



PARTS MANUAL

CRANE MERCHANDISING SYSTEMS

**PO Drawer 719
3330 Dixie Narco Blvd
Williston, SC 29853
WWW.CRANEMS.COM**

Copyright©12-10

HOW TO ORDER PARTS

MODELS 448,948 4-Wide (4-W), 449,949 6-Wide (6-W)

1. Refer to the machine breakdown above. Each assembly breakdown contains an item description and page location in this parts manual.
2. Determine part number(s) needed by referring to drawing of part. Locate item number from drawing and refer to item number, part number and description.
3. Complete your parts order, double check part numbers and quantities. Include a call back number in the event there is a question regarding your order. Fax, email or mail your order to Crane Merchandising Systems or place your order on line at www.cranems.com.
4. Specify how you would like your order to be shipped. If you do not specify, we will ship the most economical way. In the case of warranty replacements, we reserve the right to determine the method of shipment.

Should you have questions pertaining to this manual or the vendor, please contact Crane Merchandising Systems or write directly to:

Crane Merchandising Systems
3330 DIXIE-NARCO BLVD
PO DRAWER 719
WILLISTON, SC 29853
803-266-5000
Fax: 803-266-5049
www.cranems.com

Part numbers & descriptions are subject to change with out notice.

Table of Contents

Monetary Door Assembly	4
Delivery Bin Assembly	6
Coin Return Assembly	8
Standard Door Lock Assembly	9
LED Lighting Assembly	10
Cabinet Assembly	12
Monetary Barrier Assembly	14
Main Controller, Chassis and Harnessing	16
Motor Controller and Harnessing	18
Refrigeration Unit Assembly – Domestic	20
Refrigeration Unit Assembly – 230v	24
Refrigeration Unit Accessories	28
Power Panel Assembly – Domestic	30
Power Panel Assembly – 230v	32
Snack and Candy Tray Assembly	34
Spiral Options	35
Bottle Tray Assembly – All Models	36
Wire Harnesses	38
Bag Assembly Components	39
Zone Barrier	39
Notes	40

Part numbers & descriptions are subject to change with out notice.

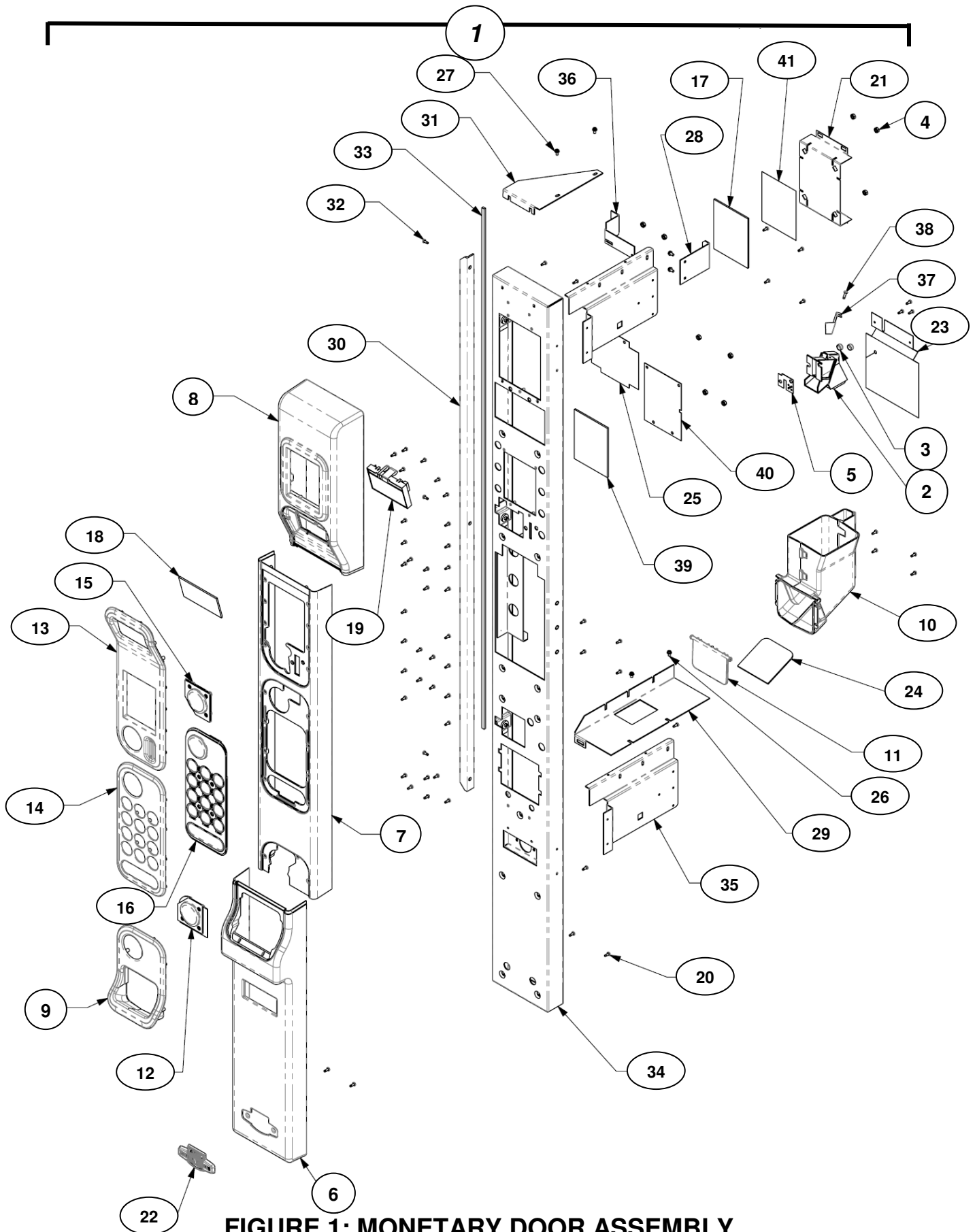


FIGURE 1: MONETARY DOOR ASSEMBLY

TABLE 1: CR0004090 Monetary Door

ITEM	PART NUMBER ALL MODELS	DESCRIPTION	QTY
1	4495001	MONETARY ASSY-MERCH CMB(OBS)	1
2	1575003	COIN CHUTE ASSEMBLY	1
3	AP420144	FERRULE	2
4	9900081	NUT #8-32 KEPS ZINC PLATE	10
5	1671041	COIN BLOCK-50 CENTS	1
6	1815114	CLADDING-LOWER-PLATINUM	1
7	1815113	CLADDING-MIDDLE-PLATINUM	1
8	1815112	CLADDING-UPPER-PLATINUM	1
9	1815109	COIN RETURN BEZEL-PLATINUM	1
10	1815111	COIN RTRN CHUTE ASSY-PLATINUM	1
11	1815110	COIN RETURN DOOR-PLATINUM	1
12	1815021	PROCESS STEP 3 ASSEMBLY	1
13	1815107	PAYMENT SYSTEM BEZEL-PLATINUM	1
14	1815108	KEYPAD BEZEL-PLATINUM	1
15	1815018	PROCESS STEP 1 ASSEMBLY	1
16	1815007	KEYPAD ASSEMBLY	1
17	1815054	LENS-POP DISPLAY	1
18	1815106	LENS-OPTREX, TEMPERED GLASS	1
19	1816006	ASSY DISP.OPX&INTRFC,MRCHN	1
20	4747171	SCREW-#6-19 X .38 PHIL.PHS	60
21	CR0014082	BRACKET-POP DISPLAY	1
22	1815053	BADGE-CRANE N.V.	1
	9815053	BADGE-CRANE A.P	1
23	1815064	COVER-KEYPAD	1
24	1815056	BAFFLE-COIN RETURN	1
25	1815058	COVER-OPTREX	1
26	4245186	SCREW-#8 32 X 1/4 PHS-T/F	2
27	1451097	SCREW-#8-32X.31 HEX HD.TF-	4
28	1815093	BRKT-SWITCH ACTIVATION	1
29	1815131	BRKT-MON. GUSSET-LOWER	1
30	1815126	ANGLE-VANDAL EXT ALUM 3/4 SEC	1
31	1815130	BRKT-MON. GUSSET-UPPER	1
32	AP262-8R8	8-32X1/2 PH FT HD T23 ZN &	3
33	4727069	GASKET-.19X.38	49 Inches
34	1815132	WELD ASSY-MONT PANEL FRONT	1
34	4495000	BRKT-SLIDE	2
36	CR0008194	BRKT, LOCK BAR RETAINING	1
37	1575084	BRACKET-COIN CHUTE	1
38	1577008	SCREW-#6-19 X.50 PLASTITE PHS	1
39	1675006	INSERT-INSTR.UP.SUREVEND	1
40	4325163	PLATE-BACKING-INSERT	1
41	1815121	POP INSERT-CHIP GUY	1
	CR0013652	SWITCH (Not Shown)	1
	1810029	KIT-IrDA (Not Shown)	1
	CR0009768	ASSY,BRACKET CARDREADER (Not Shown)	1

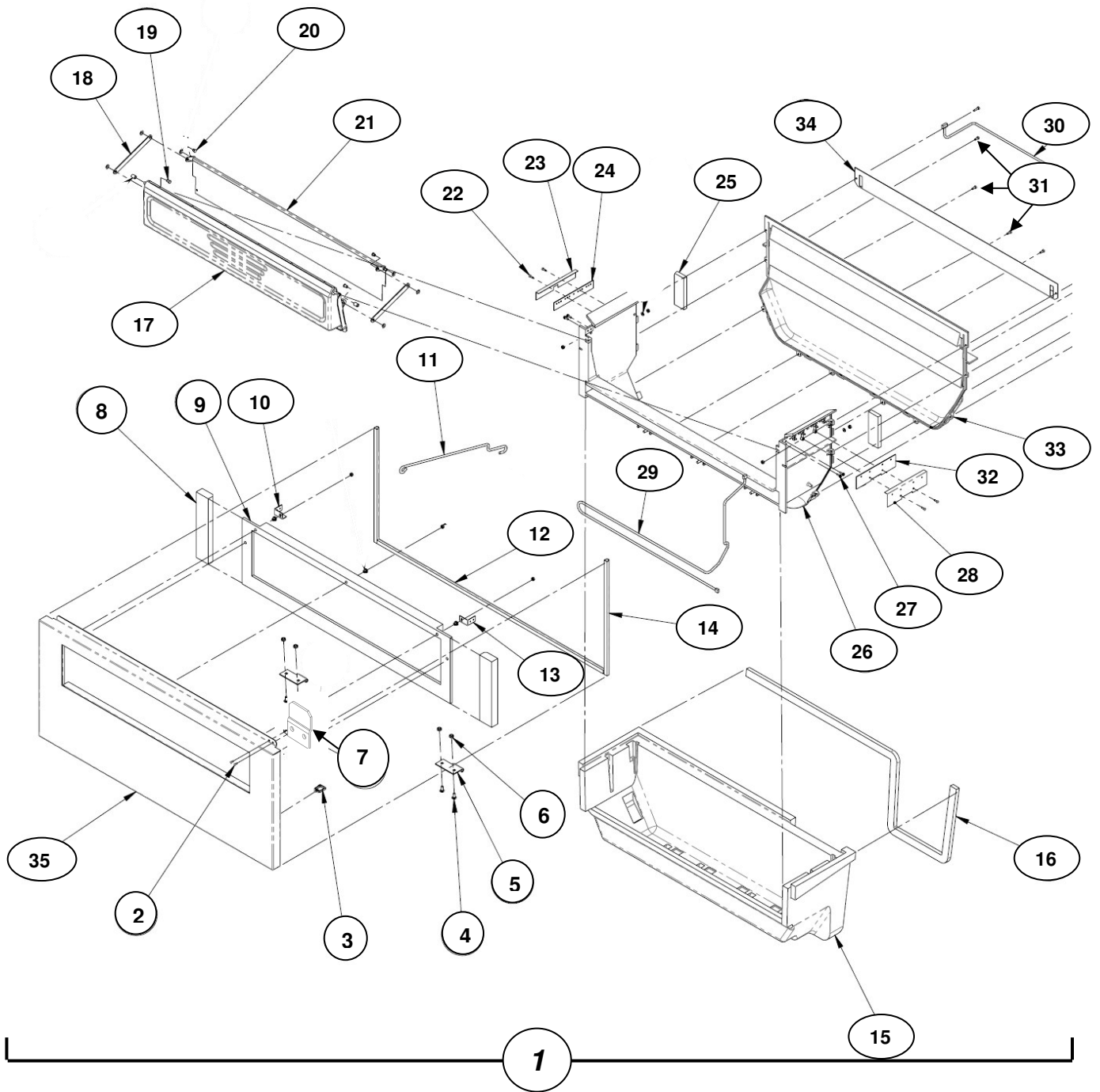


FIGURE 2: DELIVERY BIN ASSEMBLY

TABLE 2: DELIVERY BIN ASSEMBLY

ITEM	PART NUMBER		DESCRIPTION	QTY
	448,948 (4W)	449,949 (6W)		
1	4482000	CR0013586	DEL BIN ASSY, COM, SER	1
2	80030513001	SAME	SCRW,R,6-32x3/8"PHIL FTHD	2
3	AP13100062	SAME	WIRE SADDLE-LOCKING TOP-LA	1
4	AP420295	SAME	CARRIAGE BOLT SHORT SQ NEC	4
5	1812035	SAME	HINGE-DEL. DOOR-FEMALE	2
6	AP438-41	SAME	1/4-20 KEPS NUT ZN	4
7	CR0014138	CR0014138	STRIKE, DELIVERY BIN LATCH	1
8	CR0008239	CR0008239	BLOCK, FRONT INSULATION	2
9	CR0008256	CR0008244	PANEL,FRONT INSULATION	1
10	CR0008291	CR0008291	BRACKET, BIN, FRONT, LH	1
11	CR0014142	CR0014142	ROD, STOP,DELIVERY BIN	1
12	CR0005257	CR0005258	GASKET-D-DEL. BIN BOTTOM	1
13	CR0008294	CR0008294	BRACKET, BIN, FRONT, RH	1
14	CR0005256	CR0005256	GASKET-D-DEL. BIN SIDE	2
15	CR0008404	CR0008406	INSUL, DELIVERY BIN	1
16	CR0006255	CR0006256	GASKET - DEL BIN INSU	1
17	1802058	CR0014197	DOOR ASSY, PLATINUM	1
18	1812008	1812008	LINKAGE-VEND DOOR	2
19	1812010	1812010	PIN-PIVOT-LONG	2
20	1812009	1812009	PIN-PIVOT-SHORT	2
21	1802047	1812047	W/ASSY-REAR-VEND FLAP	1
22	1577008	1577008	SCREW-#6-19 X.50 PLASTITE	4
23	1812011	1812011	COVER-EMITTER-SUREVEND	1
24	1816011	1816011	PCB ASSY SUREVEND EMITTER	1
25	CR0007911	CR0007911	SEAL, DELIVERY BIN	2
26	1802061	1812061	FRONT-DELIVERY BIN	1
27	4741050	4741050	SCREW-#8-32X.50 HX.HD.-T/F	6
28	1812012	1812012	COVER-RECEIVER-SUREVEND	1
29	1819007	1819007	HRN DRVR BRD SUREVEND	1
30	1819024	1819024	HARNESS-SV DET. TO EMITTER	1
31	4277042	4277042	SCREW-#8-10 x.5 T/F-PHS	8
32	1816016	1816016	PCB ASSY SUREVEND DETECTOR	1
33	1802002	1812002	BACK-DELIVERY BIN	1
34	-----	1812040	STIFFENER-DELIVERY BIN	1
35	CR0008449	CR0014197	DOOR ASSY, PLATINUM	1
	3106145	3106145	WIRE TIE #PLT2S-M (Not Shown)	2
	189090400B1	189090400B1	CLIP,R, PANDUIT CORD (Not Shown)	2
	CR0007475	CR0007475	SHIELD, INSUL., SIDE, RIGHT (Not Shown)	1
	CR0007490	CR0007490	SHIELD, INSUL., SIDE, LEFT (Not Shown)	1

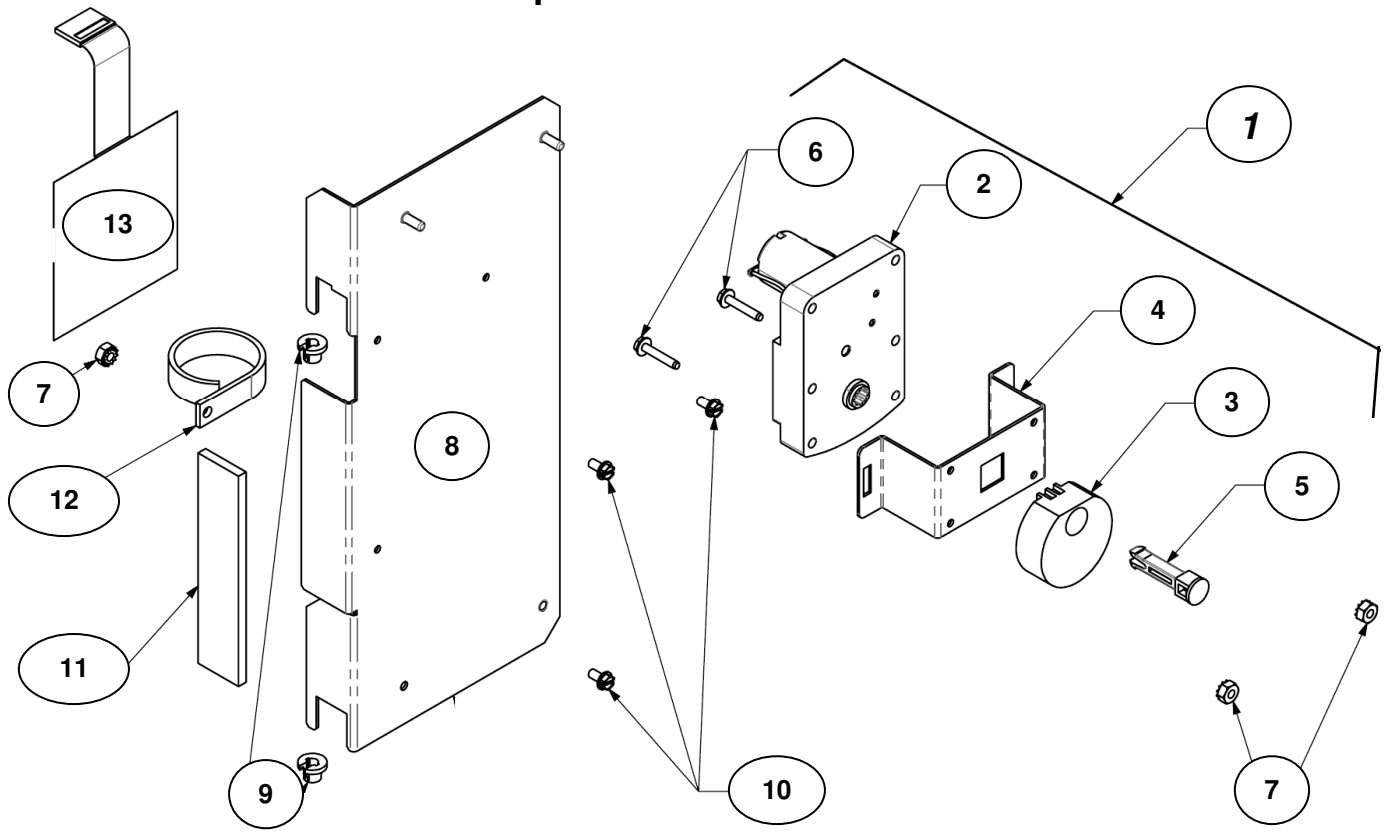


FIGURE 3: COIN RETURN ASSEMBLY

TABLE 3: COIN RETURN ASSEMBLY			
ITEM	PART NUMBER ALL MODELS	DESCRIPTION	QTY
1	1815038	ASSY-ELEC COINMECH RET <i>(Includes Items 2-6)</i>	1
2	1577038	MOTOR & PC BOARD ASSEMBLY	1
3	1815028	CAM-COIN RETURN	1
4	1815039	BRKT-COIN RET MOTOR	1
5	4407712	COUPLING-MOTOR	1
6	1457027	SCREW-#8-32 X .81 HEX HD.-	2
7	9900081	NUT #8-32 KEPS ZINC PLATE	3
8	1815036	ASSY-COINMECH MOUNT	1
9	1815066	STABILIZER-COIN MECH	2
10	3157060	SCREW-#8-32X.31 HEX W/HD.-TF	3
11	3122056	MAGNET-RETAINR-COIN CHANGER KB	1
12	3631171	CLIP-HARNESS-1.50	1
13	6335002	SERVICE KEYPAD ASSEMBLY	1
	7215025	MEMBRANE SWITCH ASSY-PROGRAM	1

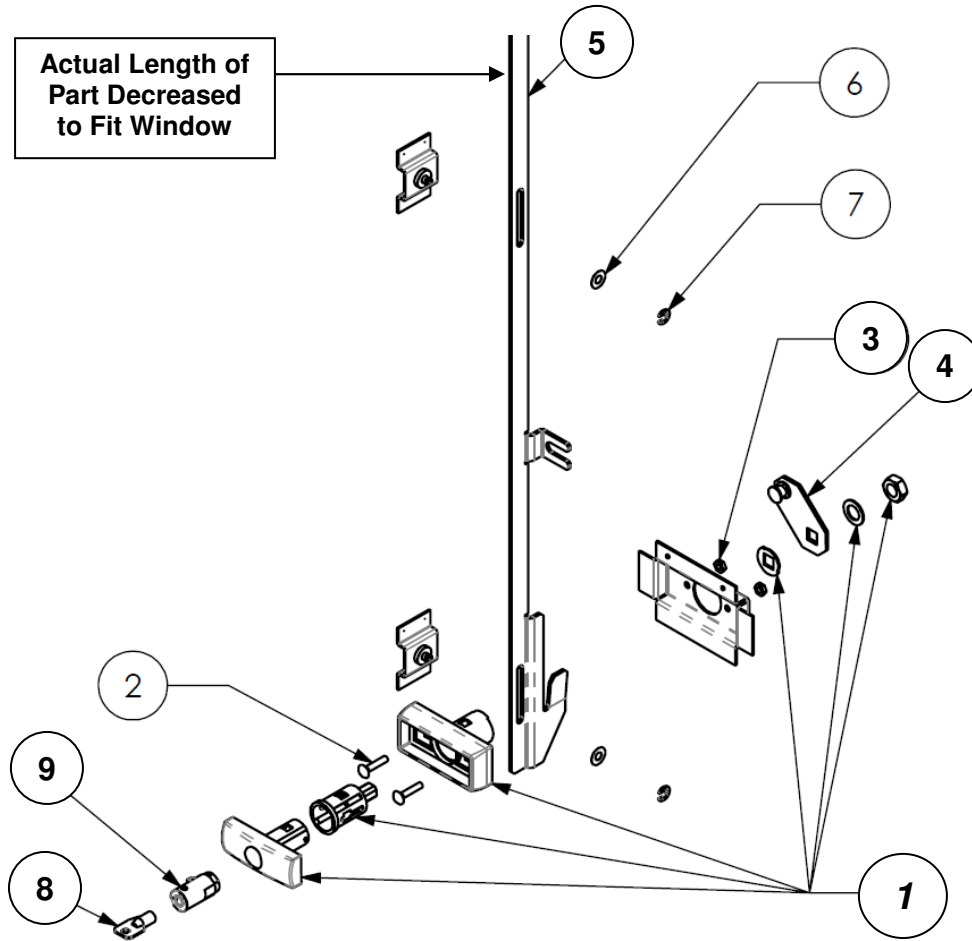


FIGURE 4: STANDARD DOOR LOCK ASSEMBLY

TABLE 4: T-HANDLE LOCK ASSEMBLY			
ITEM	PART NUMBER ALL MODELS	DESCRIPTION	QTY
1	1815118	LOCK ASSY-"T"-DULL CHROME	1
2	4247114	CARRIAGE BOLT-#10-24-ROLLER	2
3	4307029	NUT-#10-24 SELF-LOCKING	2
4	1815097	ASSY-LOCK ACTUATOR	1
5	CR0008184	BAR, SECURITY LOCK	1
6	CR0008387	WASHER, .281IDX.625ODX.008TH	4
7	9900425	RETAINING RING REINF E TYP.250	4
8	9994400	KEY-400	1
9	9995400	LOCK CYLINDER ASSY-KEY 400	1

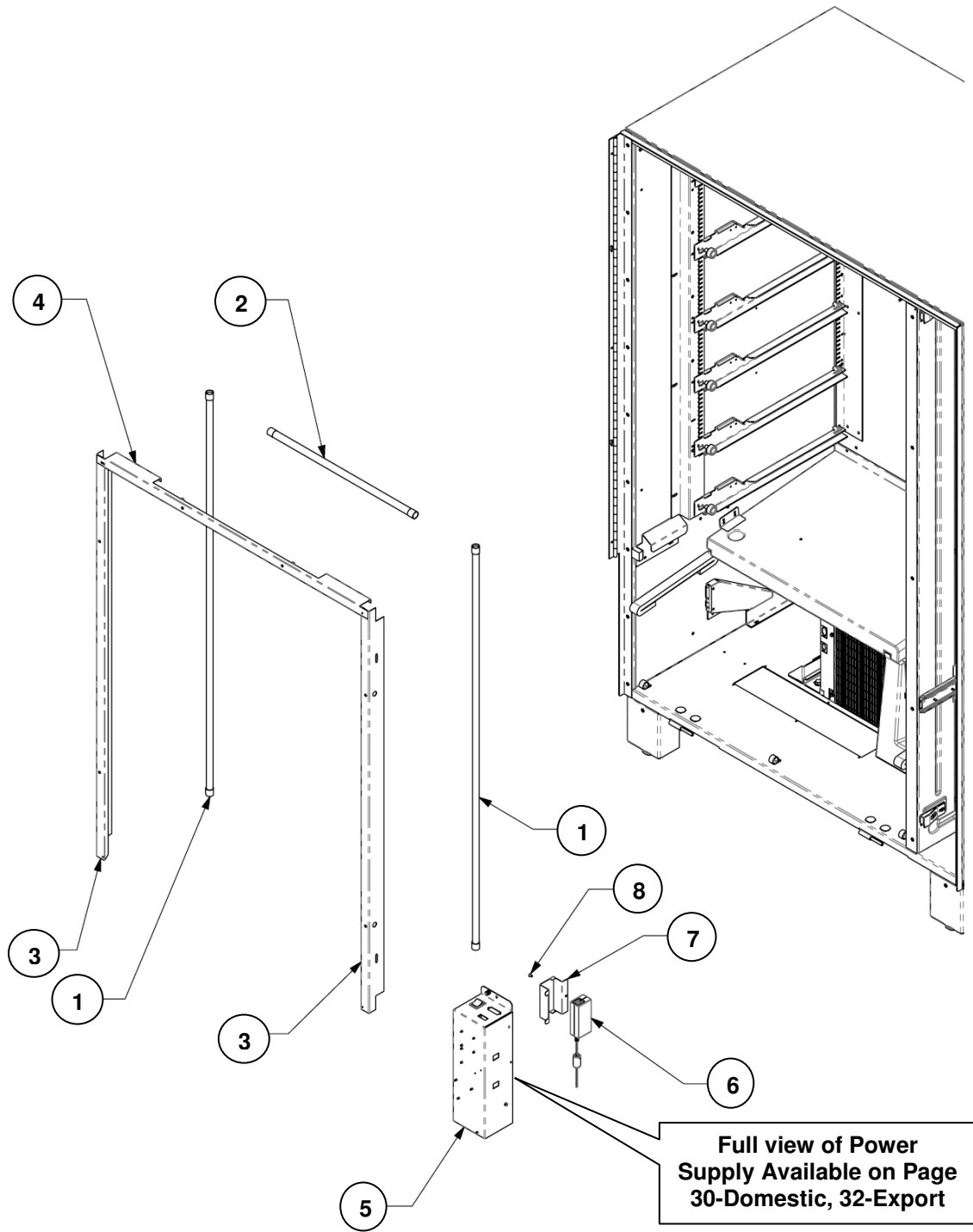


FIGURE 5: LED LIGHTING ASSEMBLY

TABLE 5: LED LIGHTING ASSY

ITEM	PART NUMBER				DESCRIPTION	QTY
	448E, 948E (4W)	449E, 949E (6W)	448D, 948D (4W)	449D, 949D (6W)		
1	1811085	1811085	1811085	1811085	ASSY-48 LED-1200MM	2
2	1672174	1672174	1672174	1672174	ASSY-24 LED-500MM	2
3	CR0013215	CR0013215	CR0013215	CR0013215	ASSY-LED REFLECTOR	2
4	CR0006835	CR0006862	CR0006835	CR0006862	BRACKET, LED HARNESS	1
5	CR0005367	CR0005367	CR0004739	CR0004739	ASM, PWR BOX MERCH CMB	1
6	9985050	9985050	9985050	9985050	SMPS-LINE TO 24VDC-NO CORD	1
7	CR0004946	CR0004946	CR0004946	CR0004946	MTG BRKT, 24V POWER SUPPLY	1
8	80030434	80030434	80030434	80030434	SCRW,R,8-32x¼ PHL PAN SWGF B	1

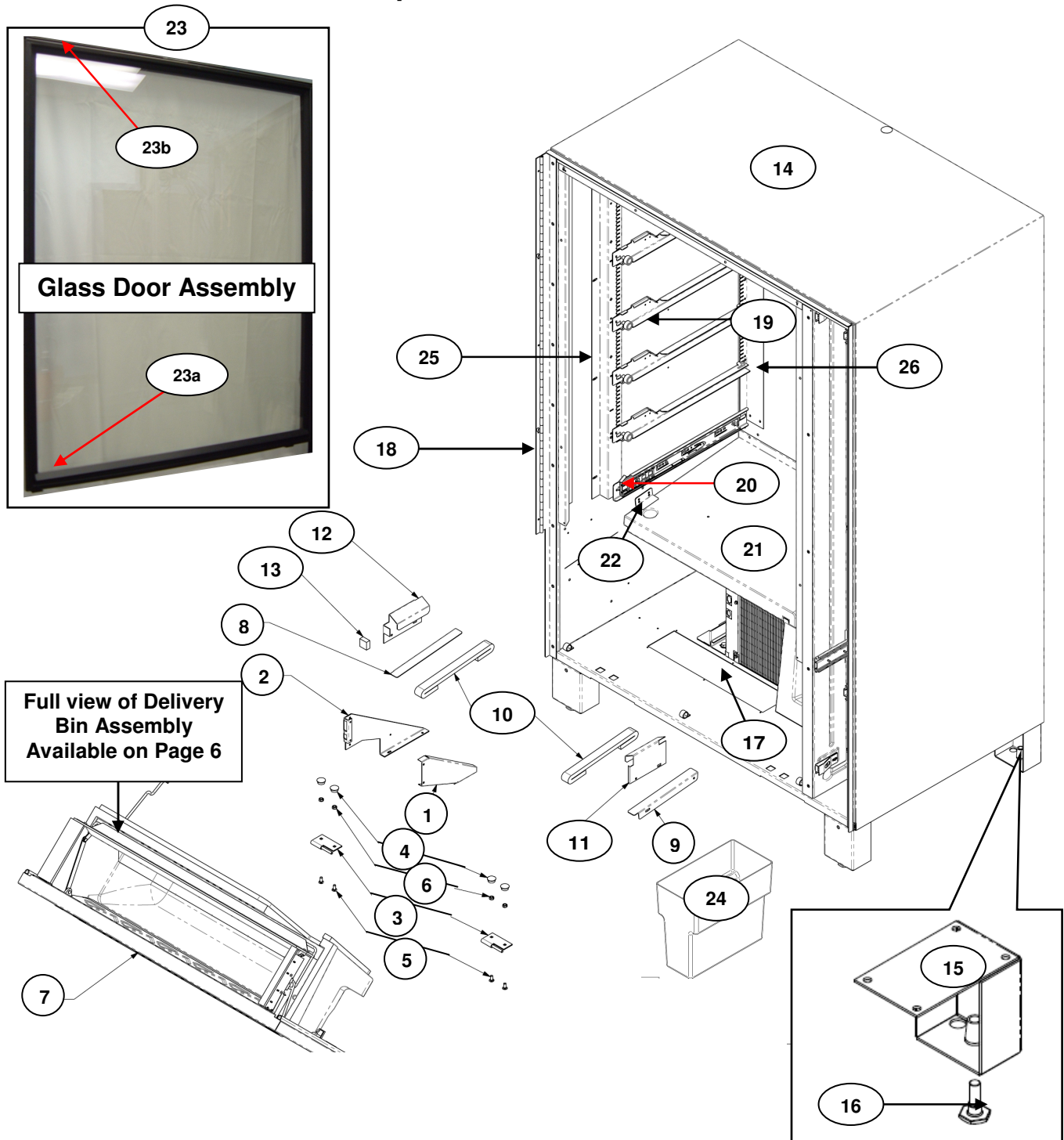


FIGURE 6: CABINET ASSEMBLY

TABLE 6: CABINET ASSEMBLY

ITEM	PART NUMBER		DESCRIPTION	QTY
	448,948 (4W)	449,949 (6W)		
1	CR0010199	CR0010199	COVER - DEL. DOOR ROD	1
2	CR0010198	CR0010198	PLATE, DEL DOOR ROD	1
3	1812036	1812036	HINGE-DEL DOOR-MALE	1
4	80182393	80182393	HOLE PLUG, .750 DIA BLACK CMB	4
5	AP420295	AP420295	CARRIAGE BOLT SHORT SQ NECK	4
6	AP438-41	AP438-41	1/4-20 KEPS NUT ZN	4
7	CR0013587	CR0013586	WIDE DEL BIN ASSY, COM, SER <i>(Full View Page 6)</i>	1
8	CR0012964	CR0012964	BRACKET, BIN SEAL LEFT	1
9	CR0008409	CR0008409	BRACKET, BIN SEAL RIGHT	1
10	CR0008410	CR0008410	GASKET, DEL BIN SIDE	1
11	CR0013187	CR0013187	BRACKET, CAB PROD DEFLECTOR	1
12	CR0013208	CR0013208	BRACKET, L/CAB PROD DFLCTR	1
13	CR0008283	CR0008283	GASKET, GLASS, BTM. LEFT CNR	1
14	CR0011469	CR0011470	ASM SHELL FOAM, "T" BLACK	1
15	CR0007597	CR0007597	LEG ASSY, COMPLETE 6"	4
	AP420187	AP420187	SCRW,HEX 5/16-18x3/4TRILOB CMB <i>(Not Shown)</i>	16
16	1811002	1811002	LEVERLER-LEG	4
17	CR0005503	CR0005496	INTAKE SCREEN	1
18	CR0005504	CR0005504	HINGE, T BLACK MERCHANT	1
	CR0004545	CR0004545	ASM, EGRESS SCREEN <i>(Not Shown)</i>	1
	4499021	4499021	HARNESS-COMPRESSOR/EVAP FAN <i>(Not Shown)</i>	1
19	CR0002609	CR0002609	TRAY RAIL ASM-LEFT HAND WITH ROLLER	1
	1471061	1471061	RIVET-GUIDE RAIL ROLLER <i>(Not Shown)</i>	0
	1471138	1471138	ROLLER-RAIL <i>(Not Shown)</i>	0
	CR0004459	CR0004459	MTG BRKT+SLIDE ASM RIGHT HAND <i>(Not Shown)</i>	1
	4277042	4277042	SCREW-#8-10 x.5 T/F-PHS <i>(Not Shown)</i>	4
	9900081	9900081	NUT #8-32 KEPS ZINC PLATE <i>(Not Shown)</i>	2
20	CR0004458	CR0004458	MTG BRKT+SLIDE ASM LEFT HAND	1
	4277042	4277042	SCREW-#8-10 x.5 T/F-PHS <i>(Not Shown)</i>	4
	CR0004448	CR0004448	SLIDE BRKT, BTL TRAY LT MC <i>(Not Shown)</i>	1
	CR0004833	CR0004833	SLIDES, BOTTLE TRAY M COMB <i>(Not Shown)</i>	1
	CR0002604	CR0002604	RAIL-TRAY GUIDE SHORTS LS <i>(Not Shown)</i>	0
	CR0002610	CR0002610	TRAY RAIL ASM-RIGHT HAND WITH ROLLER <i>(Not Shown)</i>	1
	1471061	1471061	RIVET-GUIDE RAIL ROLLER <i>(Not Shown)</i>	0
	1471138	1471138	ROLLER-RAIL <i>(Not Shown)</i>	0
	1571015	1571015	STUD-FLUSH HD.-#8-32 x .38 <i>(Not Shown)</i>	0
	CR0002605	CR0002605	RAIL-TRAY GUIDE SHORT RS <i>(Not Shown)</i>	0
21	CR0005269	CR0005282	HB ASSEMBY	1
22	CR0004738	CR0004738	BRKT-SHELF HOLD DOWN	2
23	CR0010146	CR0010147	GLASS DOOR ASSEMBLY	1
	CR0010558	CR0010558	SHIM-DOOR <i>(Not Shown)</i>	1
23a	CR0010607	CR0010608	DEFLECTOR, PRODUCT	1
23b	CR0008272	CR0008138	PANEL, TOP DOOR VANDAL	1
	1812066	1812066	RAMP-DOOR <i>(Not Shown)</i>	2
24	1811036	1811036	COIN BOX-9"X5"X10.25" TALL	1
	CR0009589	CR0009589	KIT, LOCKING COIN BOX <i>(Not Shown)</i>	
25	CR0002606	CR0002606	BRACKET-TRAY SUPPORT LEFT FRONT	1
	CR0004256	CR0004256	BRACKET-TRAY SUPPORT RIGHT FRONT <i>(Not Shown)</i>	1
26	CR0002607	CR0002607	BRKT-TRAY SUPPORT LEFT REAR	1
	CR0002608	CR0002608	BRKT-TRAY SUPPORT RIGHT REAR <i>(Not Shown)</i>	1

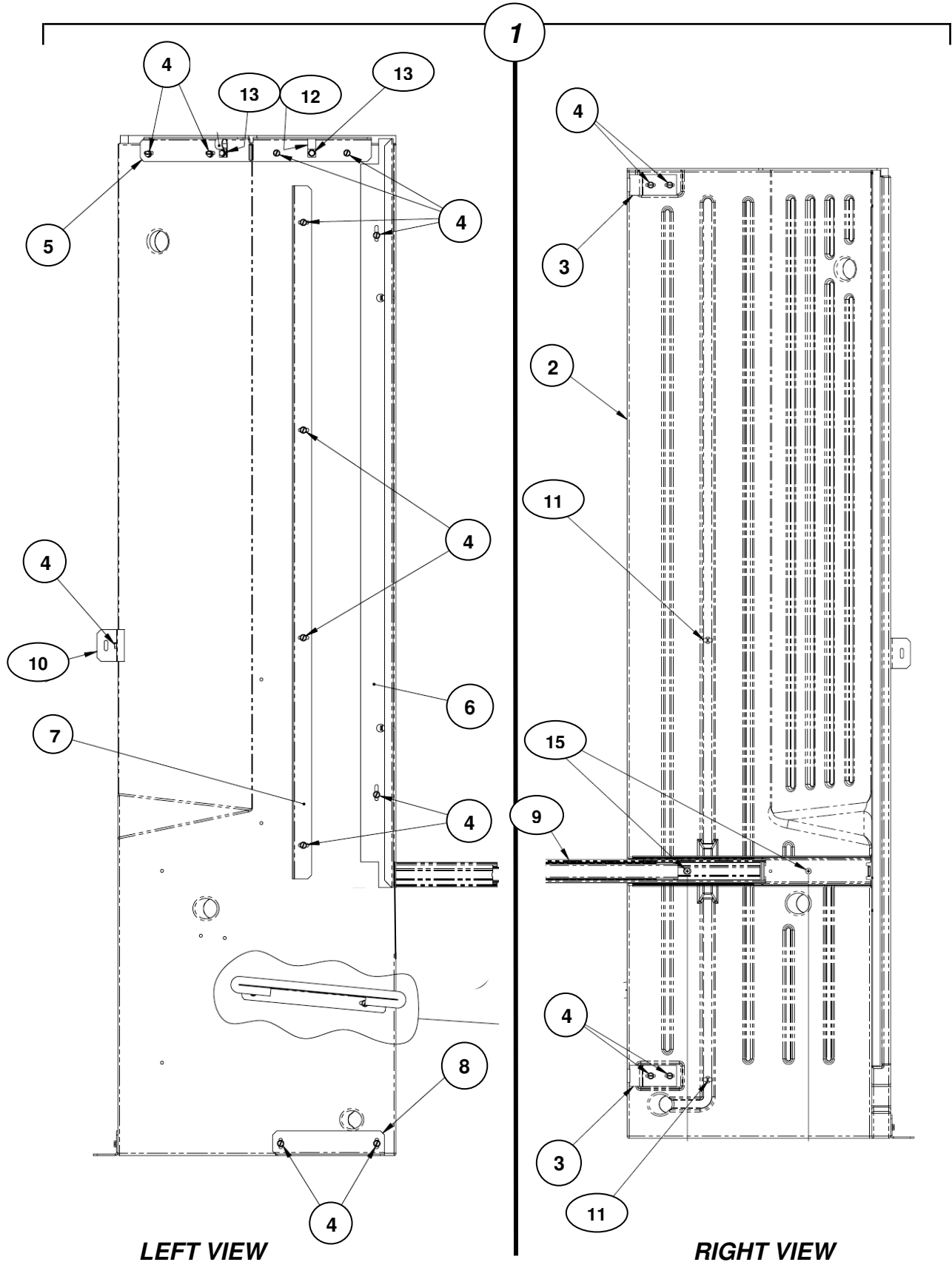


FIGURE 7: MOMENTARY BARRIER ASSEMBLY

TABLE 7: MONETARY BARRIER ASSEMBLY

ITEM	PART NUMBER ALL MODELS	DESCRIPTION	QTY
1	CR0005403	ASM, MONETARY BARRIER	1
2	CR0005783	A, MONETARY BARRIER FOAM R	1
3	CR0008155	ARM, ENCLOSED LOCK	2
4	CR0006928	SCRW, 10-24X3/8 HWH MACH W/	23
	CR0013997	GASKET, MONET BARRIER TOP (Not Shown)	1
	CR0004934	GASKET, MONET BARRIER SIDE (Not Shown)	1
5	CR0005091	BRKT, MONETARY BARRIER UPPER	1
6	CR0013215	ASSY-LED REFLECTOR	1
	1672177	ASSY-MTG-CLIP-ADJUST.-LED (Not Shown)	2
	9900065	WASHER STEEL 3/8X.147X.031 (Not Shown)	2
	90110054	RIVET, R, 1/8 ALUMINUM BLACK (Not Shown)	2
	CR0013038	BRACKET, LED MOUNTING (Not Shown)	1
7	CR0004606	BRKT, TRAY SUPPORT ADJUST	1
8	CR0005092	BRKT, MONETARY BARRIER LOW	1
	CR0005093	BRKT, MONE BARRIER LWR-REAR (Not Shown)	1
9	CR0012692	SLIDE MONETARY	3
10	CR0005715	BRKT, MON BARR VERT MTG	1
11	CR0006162	WIRE SADDLE, WSBH-3-01	2
12	90090227	CLAMP P, R, NYLON CABLE 9/16"	2
13	CR0007128	SCREW, R, #10 X .750 TEK-BLACK	2
	4329069	HARNESS-LED-LIGHTING (Not Shown)	1
14	CR0005405	SCR, R, 10-24X1/2 PAN HD MAC	2

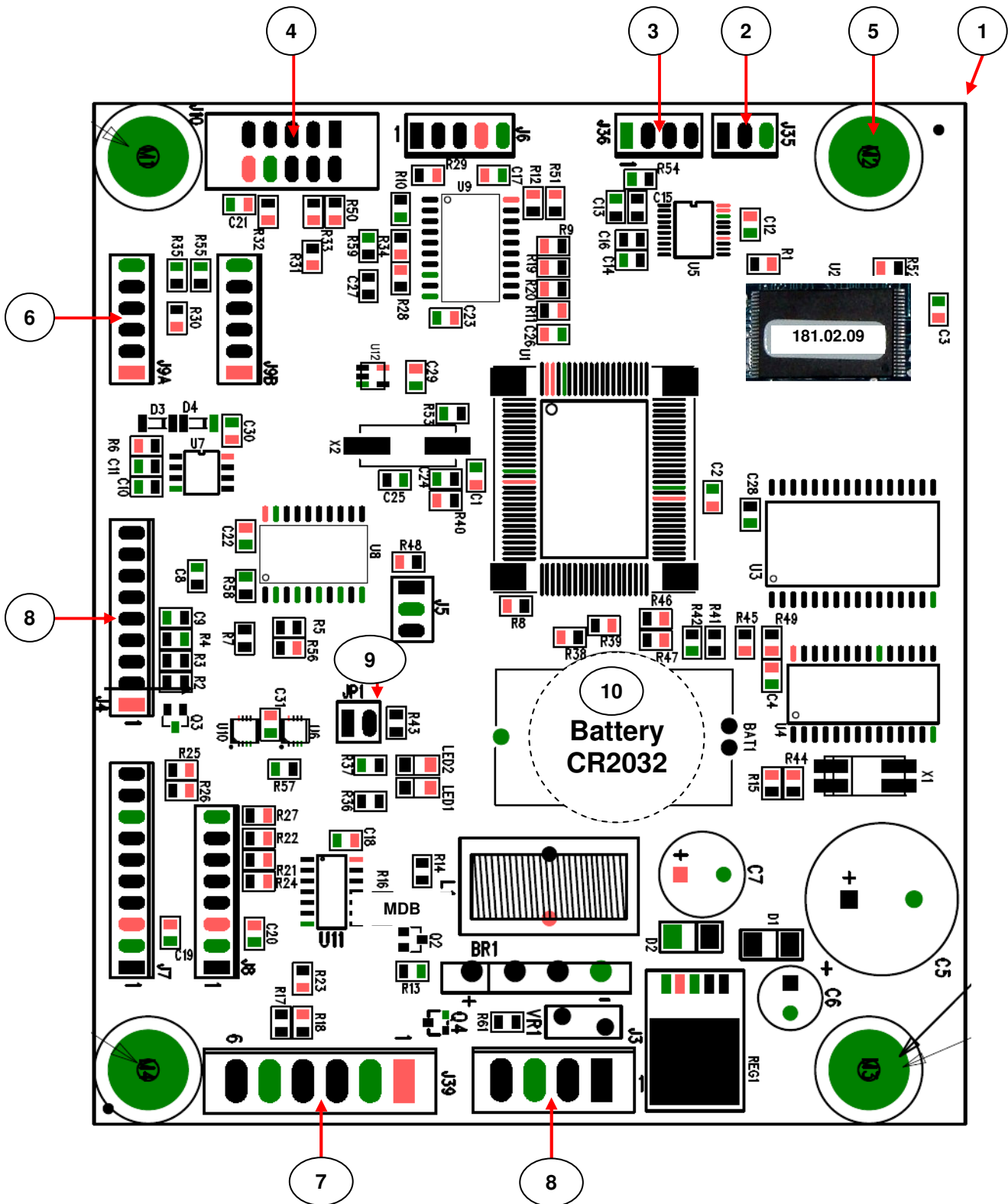
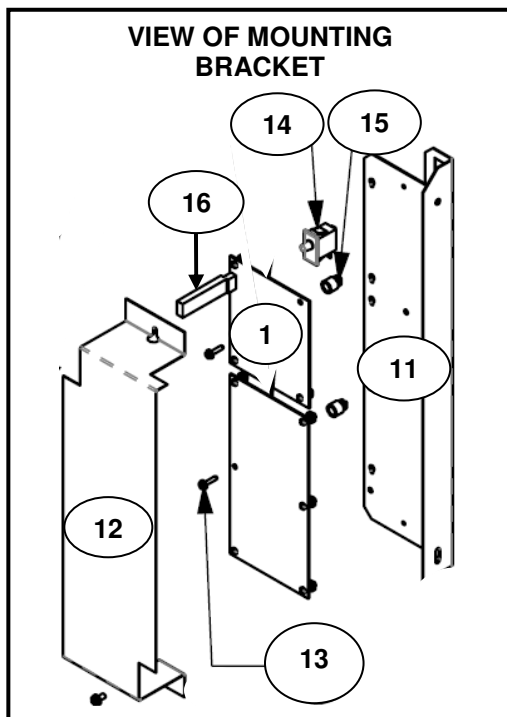


FIGURE 8: MAIN CONTROLLER AND HARNESSING

TABLE 8: MAIN CONTROLLER, CHASSIS AND HARNESSING

ITEM	PART NUMBER	DESCRIPTION	QTY	CONNECTION
1	CR0012738	PCBA- MAIN CTL+VER 181.02.10	1	-----
2	9989507	SHUNT	1	J35
3	1679056	HARNESS-DEX INTERFACE	1	J36
4	1819012	HARNESS KEYPAD	1	J10
5	1571036	STANDOFF, PCB-.375 KEY	4	-----
6	CR0012739	DATA KEY-VER 181.02.10-150X		J9A
7	1819015	HARN MDB	1	J39
8	4499031	HARNESS-PWR PNL 24V	1	J3
9	9989507	JUMPER PLUG	1	JP1
10	80492045	BATTERY CR2032 – <i>ALSO AVAILABLE LOCALLY</i>	1	BAT1
11	CR0005510	MTG BRKT, PCB MERCHANT	1	-----
12	CR0004752	COVER, PCB BOARD	1	-----
13	1471199	SCREW-#8-18 x .62 HEX/WH.	2	-----
14	CR0013652	SWITCH	1	-----
15	1571034	STANDOFF-PCB-3/8 SCREW MOUNT	2	-----
16	4496001	HEALTH CONTROL KEY	1	J9A Main Board



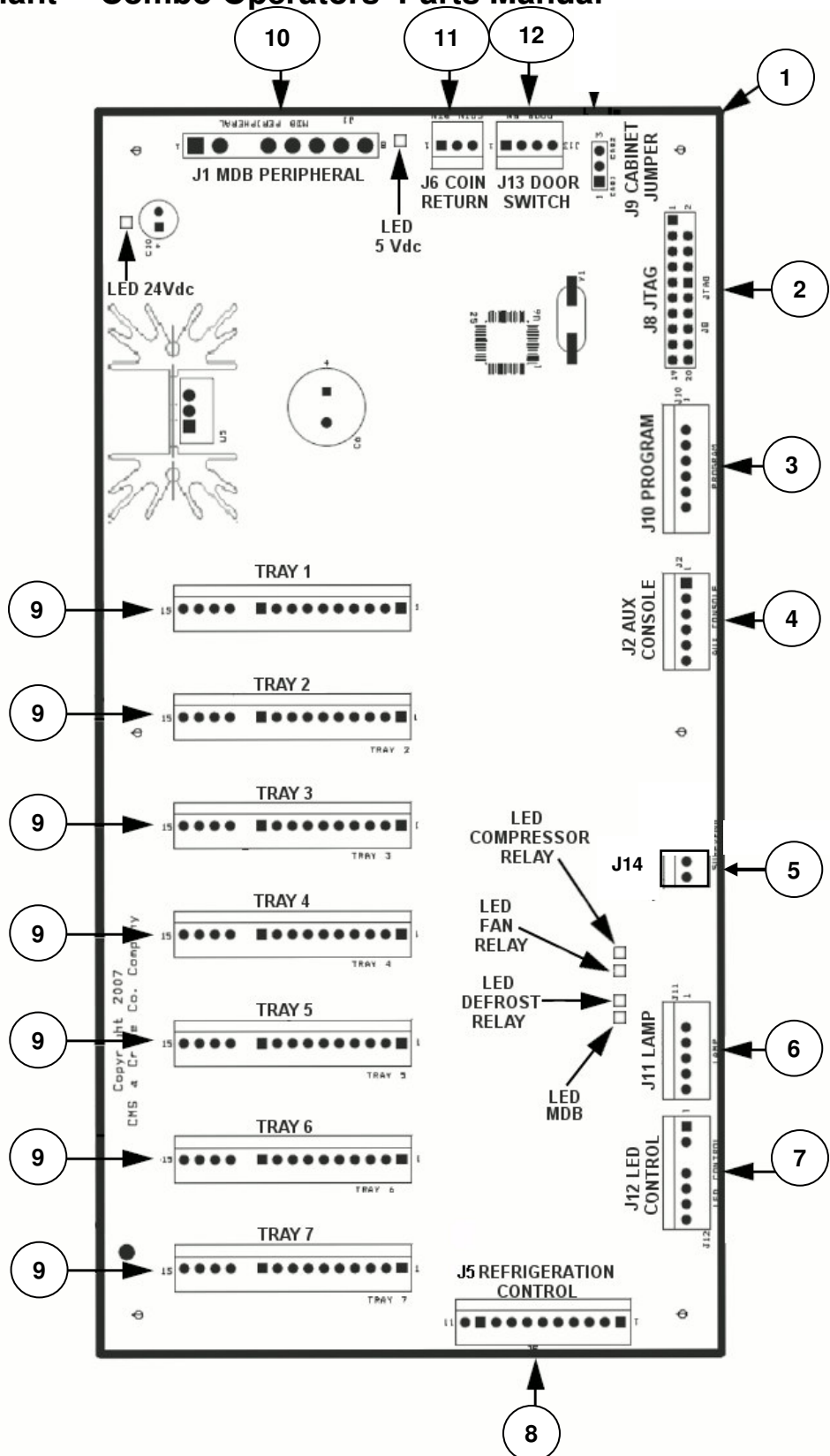


FIGURE 9: MOTOR CONTROLLER AND HARNESSING

TABLE 9: MOTOR CONTROLLER AND HARNESSING

ITEM	PART NUMBER		DESCRIPTION	QTY	CONNECTION
	448,948 (4W)	449,949 (6W)			
1	CR0012301	CR0012301	PCB ASSY-MERCHANT IO-V2.22	1	-----
2			NOT USED		J8
3			NOT USED		J10
4	NA	4499035	HARNESS-TEMP SENSOR EXT	1	J14
5	1819007	1819007	HRN DRVR BRD SUREVEND	1	J3
6	4499008	4499008	HARNESS-LAMP	1	J11
7			NOT USED		J12
8	4499009	SAME	HARNESS-REFRIGERATION	1	J5
9	NA	4499033	HARNESS-10 MOTOR BOTTLE	1	TRAY 1
	NA	4499023	HARNESS-12 MOTOR COMBO	1	TRAY 2
	NA	4499022	HARNESS-6 MOTOR COMBO	1	TRAY 3
	4499034	NA	HARNESS-7 MOTOR BOTTLE	1	TRAY 4
	4499025	NA	HARNESS-8 MOTOR COMBO	1	TRAY 5
	4499024	NA	HARNESS-COMBO 4 MTR TRAY	1	TRAY 6
	NA	NA	OPTIONAL TRAY HARNESS	1	TRAY 7
10	1819015	1819015	HARN MDB	1	J1
11	1819018	1819018	HARN COIN RETURN MOTOR	1	J6
12	1819017	1819017	HARNESS-DOOR SWITCH	1	J13

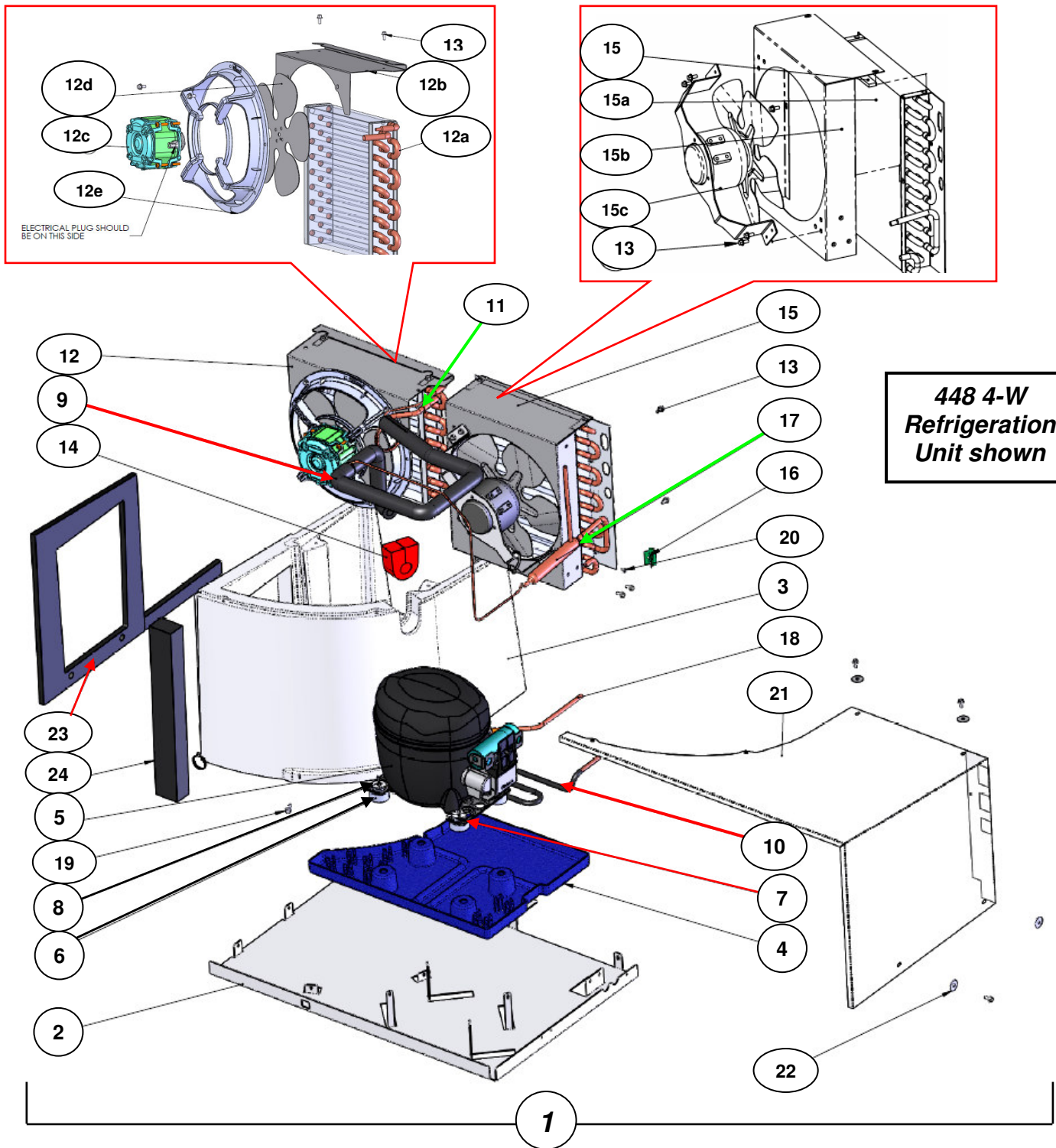


FIGURE 10: REFRIGERATION UNIT ASSEMBLY - DOMESTIC

TABLE 10: REFRIGERATION UNIT ASSEMBLY

ITEM	PART NUMBER		DESCRIPTION	QTY
	448,948 (4W)	449,949 (6W)		
1	CR0004431	CR0008293	A,REFR DECK,115V60HZR134A	1
2	CR0005277	CR0008295	TRAY, REFR UNIT	1
3	CR0005267	CR0005267	ASSY, EVAP BOX, MOLDED	1
4	CR0002072	CR0002072	PAN,R, CONDENSATE W/WICKS	1
5	CR0005297		COMP,A,FFU100HAK HST 115V R134	1
Part of Item 5	CR0006120	-----	CAPCTR, START FFU100HAK115	1
	CR0005435		CAPCTR,COMP START FFU100HAK	1
	80240220		CAP, CAPACITOR FFU130HAX	1
5		80250289	A,COMP,FFU130HAX,513200620	1
Part of Item 5		80240213	OVERLOAD, COMPRESSOR FFU130HAX	1
		80240216	RELAY,COMP START FFU130HAX	1
		80240218	CAPCTR,COMPRESR STRT FFU130HAX	1
6	90200057	90200057	GROMMET,R, COMPRESSOR B	4
7	90180391	90180391	PLUG,R, COMPRESSOR GROMMET B	4
8	90090188	90090188	CLIP,R, RETAINER COMPRESSOR B	4
9	CR0005304		A, HEAT EXCHANGE FORMED DOM	1
Part of Item 9	80300040	-----	TUBE,R, COPPER 5/16 OD X .028W	1
	CR0005294		TUBE, CAPILLARY,.042ID 093OD 72	1
	90330083		TUBE,R,INSULATION UNSLIT 53in.	1
9		CR0008396	A, HEAT EXCHANGE FORMED	1
Part of Item 9		CR0008114	TUBE, SUCTION ACC-CMP	1
		80290039	CAPILLARY TUBE,.050"IDx84"	1
		90330083	TUBE,R,INSULATION UNSLIT 53in.	1
	-----	CR0008115	TUBE, SUCTION EVAP-ACC (Not Shown)	1
10	CR0005856	65704081013	TUBE,COPPR SUCTION LINE DOM	1
11	80300040	80300040	TUBE,R, COPPER 5/16 OD X .028W	1
		65704082013	ASSY, TUBING 3/8" PVC 29"	1
		80320045	TUBING, 3/8" PVC	1
		CR0001248	TUBE,R, DISCHARGE	1
		80300039	TUBE,R, COPPER 1/4 OD X .028W	1
12	CR0005302	CR0009257	ASSY, EVAP COIL AND FAN	1
12a	CR0004375	CR0004391	EVAPORATOR, 3R X 8 X 9	1
12b	CR0005301	CR0005301	SHROUD,FAN 9X8X3.7,8in WLNG	1
12c	CR0005289	CR0005289	FAN, A,WLNGTN,16W 120V,60Hz	1
12d	CR0005296	CR0005296	BLADE, FAN 8" 30°CW SUCTION	1
12e	CR0005295	CR0005295	FAN BASKET, WELLINGTON	1

TABLE 10: REFRIGERATION UNIT ASSEMBLY - *Continued*

ITEM	PART NUMBER		DESCRIPTION	QTY
	448,948 (4W)	449,949 (6W)		
13	80030438	80030438	SCRW,R,8-32x3/8 TYPE1 HXWSHR B	19
14	CR0005265	CR0005265	GROMMET, EVAP BOX SEAL	1
15	CR0004465	-----	A,CONDNSR 2x8x9 EM&S 120V9W	1
15a	CR0004376		CONDENSER, 3R X 8 X 11	1
15b	CR0004466		SHROUD, COND FAN 8" FACE	1
15c	CR0002309	CR0002309	A,CONDENSER FAN MOTOR,STRAP	1
15d	80450187	80450187	A,FAN CONDENSER EM&S 9W 115v,CW	1
	80210052	80210052	SILENCER,R CONDENSER MOTOR	1
	80080199	80080199	NUT,R, SPEED COND MOTOR	1
	80130866	80130866	BLADE, FAN 8.75in 27°CW, 115v	1
	CR0005713	CR0005713	STRAP, FAN EMS 8.75 in. V3	1
	80030438	80030438	SCRW,R,8-32x3/8 TYPE1 HXWSHR B	1
15	-----	CR0005719	ASSY,CONDENSER,4R,115V60Hz,	1
15a		80260079	CONDENSER. COIL 11 x 8 x 2.5	1
15b		CR0005726	SHRD,CONDEN FAN 8"FACE MOD	1
	-----	80240046	ACCUMULATOR,R,1.375OD x 6.000L <i>(Not Shown)</i>	1
	-----	CR0008296	BRACKET, COND EXT 4 ROW <i>(Not Shown)</i>	1
16	CR0005716	CR0005716	CLIP, SPRING 5/16-1/4 COUPLE	1
17	80240129	80240129	DRYER,R,.054 EXTND OUTLT R134a	1
18	63505019	63505019	A, TUBE PROCESS 6.75IN	1
	80300039	80300039	TUBE,R, COPPER 1/4 OD X .028W	1
19	80030541	80030541	SCREW,R, #10 X .750 TEK ZINC	4
	9987852	9987852	PROBE, TEMP SENSOR CRN	3
	80490442	-----	GROUND,R, LEAD 20" 602570	1
20	80030434	80030434	SCRW,R,8-32x1/4 PHL PAN SWGFRM B	1
	4499001	4499001	HARNESS, TEMP SENSORS	1
	4499019	4499019	HARNESS, EVAP FAN	1
	4499020	4499020	HARNESS, COMPRESSOR	1
21	CR0005563	CR0008335	DUCT, CONDENSER EXIT 3R	1
22	6138181	6138181	WASHER, PLATE SS	4
23	CR0005370	CR0005370	GASKET SET, REFR UNIT	1
24	CR0006166	CR0006166	GASKET, 1.75 X 1.181 SOFT	1

THIS PAGE INTENTIONALLY LEFT BLANK

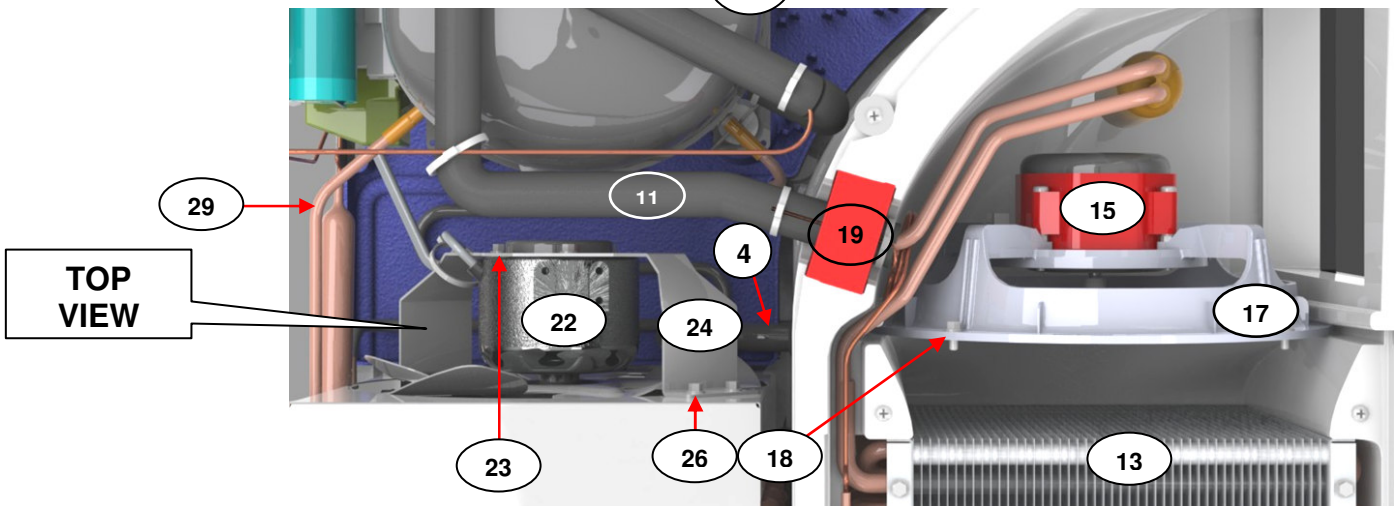
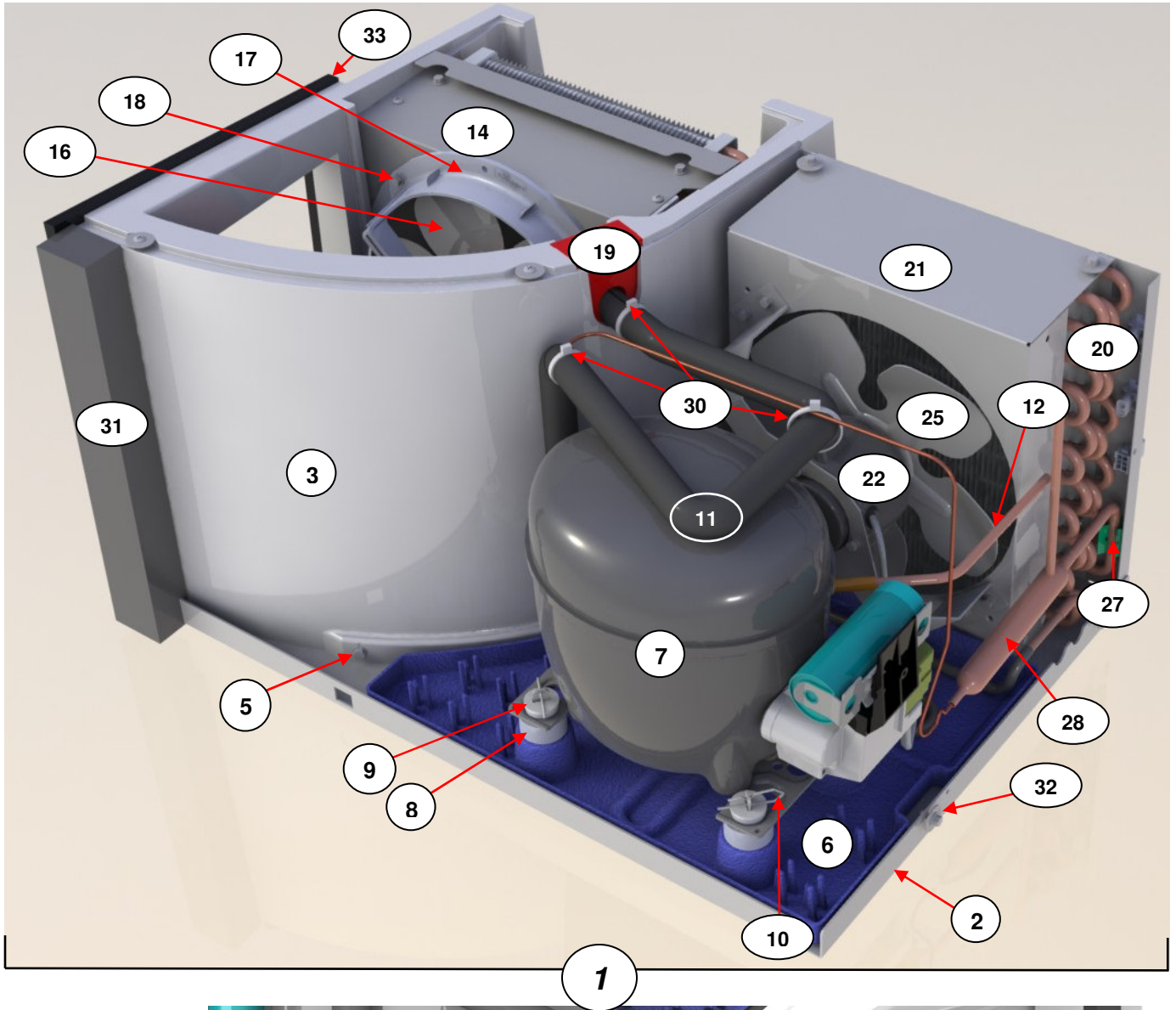


FIGURE 11: REFRIGERATION UNIT ASSEMBLY – ALL 230v MODELS

TABLE 11: REFRIGERATION UNIT ASSEMBLY - 230v			
ITEM	COMPONENT	DESCRIPTION	QTY
1	CR0006230	A, REFR DECK,230V50Hz R134a	1
2	CR0005277	TRAY, REFR UNIT	1
3	CR0005267	ASSY, EVAP BOX, MOLDED	1
	CR0001980	CONNECTOR, DRAIN TUBE <i>(Not Shown)</i>	1
4	CR0006165	DRAIN TRAP, CONDENSATE	1
5	80030541	SCREW,R, #10 X .750 TEK ZINC	4
6	CR0002072	PAN,R, CONDENSATE W/WICKS	1
7	CR0005298	COMP,A,FFU130HAXHST,220R134	1
<i>Part of Item 7</i>	CR0006234	CAPCTR START,A,FFU130HAX220	1
	CR0005487	RELAY,COMPSTRT,FFU130HAX230	1
	CR0005489	CORD, RELIEF FFU130HAX 230V	1
	CR0005718	OVERLD,COMPRSR FFU130HAX230	1
8	90200057	GROMMET,R, COMPRESSOR B	4
9	90180391	PLUG,R, COMPRESSOR GROMMET B	4
10	90090188	CLIP,R, RETAINER COMPRESSOR B	4
11	CR0005304	A, HEAT EXCHANGE FORMED DOM	1
<i>Part of Item 11</i>	80300040	TUBE,R, COPPER 5/16 OD X .028W	2.83
	CR0005294	TUBE, CAPILLARY,042ID 093OD 72	1
	90330083	TUBE,R,INSULATION UNSLIT 53in.	1
12	65704081013	A, TUBE, CONDENSATE LOOP	1
	65704082013	ASSY, TUBING 3/8" PVC 29" <i>(Part of 12)</i>	1
	CR0001248	TUBE,R, DISCHARGE <i>(Part of 12)</i>	1
<i>Continued on Next Page</i>			

TABLE 11: REFRIGERATION UNIT ASSEMBLY - 230v <i>Continued</i>			
ITEM	COMPONENT	DESCRIPTION	QTY
	80300039	TUBE,R, COPPER 1/4 OD X .028W <i>(Part of 12)</i>	2.87
13	CR0004375	EVAPORATOR, 3R X 8 X 9	1
14	CR0005301	SHROUD,FAN 9X8X3.7,8in WLNG	1
15	CR0005288	FAN, A,WLNGTN,20W 230V,50Hz	1
16	CR0005296	BLADE, FAN 8" 30°CW SUCTION	1
17	CR0005295	FAN BASKET, WELLINGTON	1
18	80030438	SCRW,R,8-32x3/8 TYPE1 HXWSHR B	4
19	CR0005265	GROMMET, EVAP BOX SEAL	1
20	CR0004376	CONDENSER, 3R X 8 X 11	1
21	CR0004466	SHROUD, COND FAN 8" FACE	1
22	CR0004177	MOTOR,A,FAN EM&S,16W 230V/50HZ	1
23	80030438	SCRW,R,8-32x3/8 TYPE1 HXWSHR B	4
24	CR0005713	STRAP, FAN EMS 8.75 in. V3	1
25	CR0004748	BLADE, FAN 8.75" 37° CW, 230v	1
26	80030438	SCRW,R,8-32x3/8 TYPE1 HXWSHR B	6
27	CR0005716	CLIP, SPRING 5/16-1/4 COUPLE	1
28	80240129	DRYER,R,.054 EXTND OUTLT R134a	1
29	63505019	A, TUBE PROCESS 6.75IN	1
	80300039	TUBE,R, COPPER 1/4 OD X .028W <i>(Not Shown)</i>	1
30	90190201	TIE,R, WIRE 7 1/2" Length B	5
	80030539	SCREW, MOUNTING COND MOTOR <i>(Not Shown)</i>	4
	9987852	PROBE, TEMP SENSOR CRN <i>(Not Shown)</i>	3
	80490442	GROUND,R, LEAD 20" 602570 <i>(Not Shown)</i>	1
	4499001	HARNESS, TEMP SENSORS <i>(Not Shown)</i>	1
	4499019	HARNESS, EVAP FAN <i>(Not Shown)</i>	1
	4499020	HARNESS, COMPRESSOR <i>(Not Shown)</i>	1
31	CR0006166	GASKET, 1.75 X 1.181 SOFT	1
32	6138181	WASHER, PLATE SS	4
33	CR0005370	GASKET SET, REFR UNIT	1

THIS PAGE INTENTIONALLY LEFT BLANK

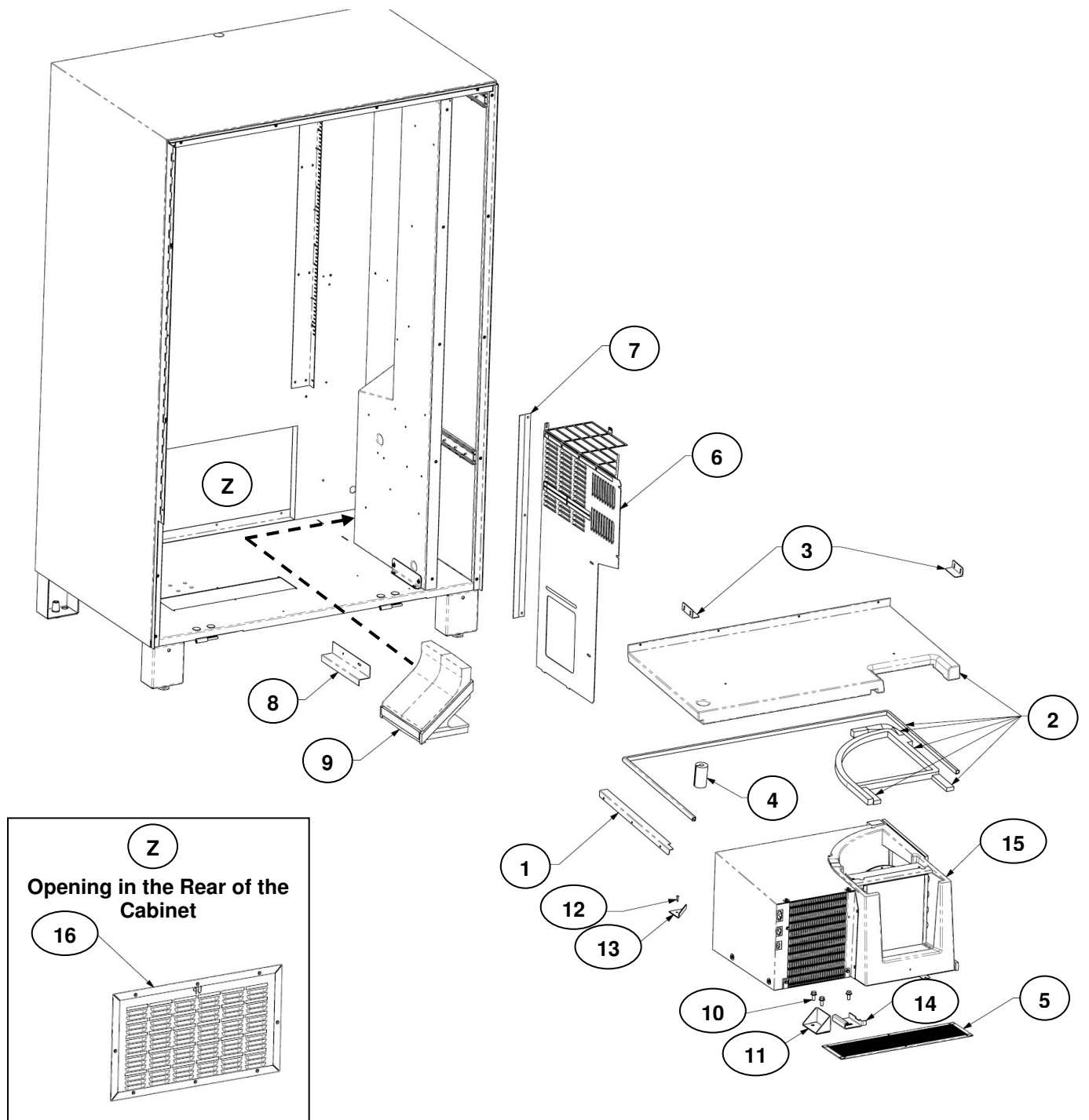


FIGURE 12: REFRIGERATION UNIT ACCESSORIES

TABLE 12: REFRIGERATION UNIT ACCESSORIES

ITEM	PART NUMBER		DESCRIPTION	QTY
	448,948 (4W)	449,949 (6W)		
1	CR0012963	CR0012963	BRACKET, HOR BAR, LEFT	1
2	CR0005269	CR0005282	HB ASSEMBY	1
3	CR0004738	CR0004738	BRKT-SHELF HOLD DOWN	1
4	CR0007394	CR0007394	SEAL, WIRE OPENING	1
5	CR0005503	CR0005496	INTAKE SCREEN	1
6	CR0004919	CR0004919	AIR PLENUM	1
7	CR0006680	CR0006680	BRKT-AIR PLENUM MTG REAR	1
8	CR0006206	CR0006206	BRACKET-TRANSITION	1
9	CR0006975	CR0006975	EVAP TRANSITION ASSY	1
10	AP420187	AP420187	SCREW HEX 5/16-18X3/4 LG ROLOK	3 (ON 6 W) 1 (ON 4W)
11	NA	CR0005309	BRACKET-FALSE WALL	1
12	CR0007128	CR0007128	SCREW,R,#10 X .750 TEK-BLK	1
13	CR0004848	CR0004848	BRACKET-REAR POSITION-REFER.	1
14	CR0009563	CR0009563	PLATE, DUAL POSITION LOCK	1
15	CR0004431	CR0008293	A,REFR DECK,115V60HZR134	1
	CR0006230	CR0006230	A,REFR DECK,230V50HZR134A	1
16	CR0004545	CR0004545	ASM, EGRESS SCREEN	1

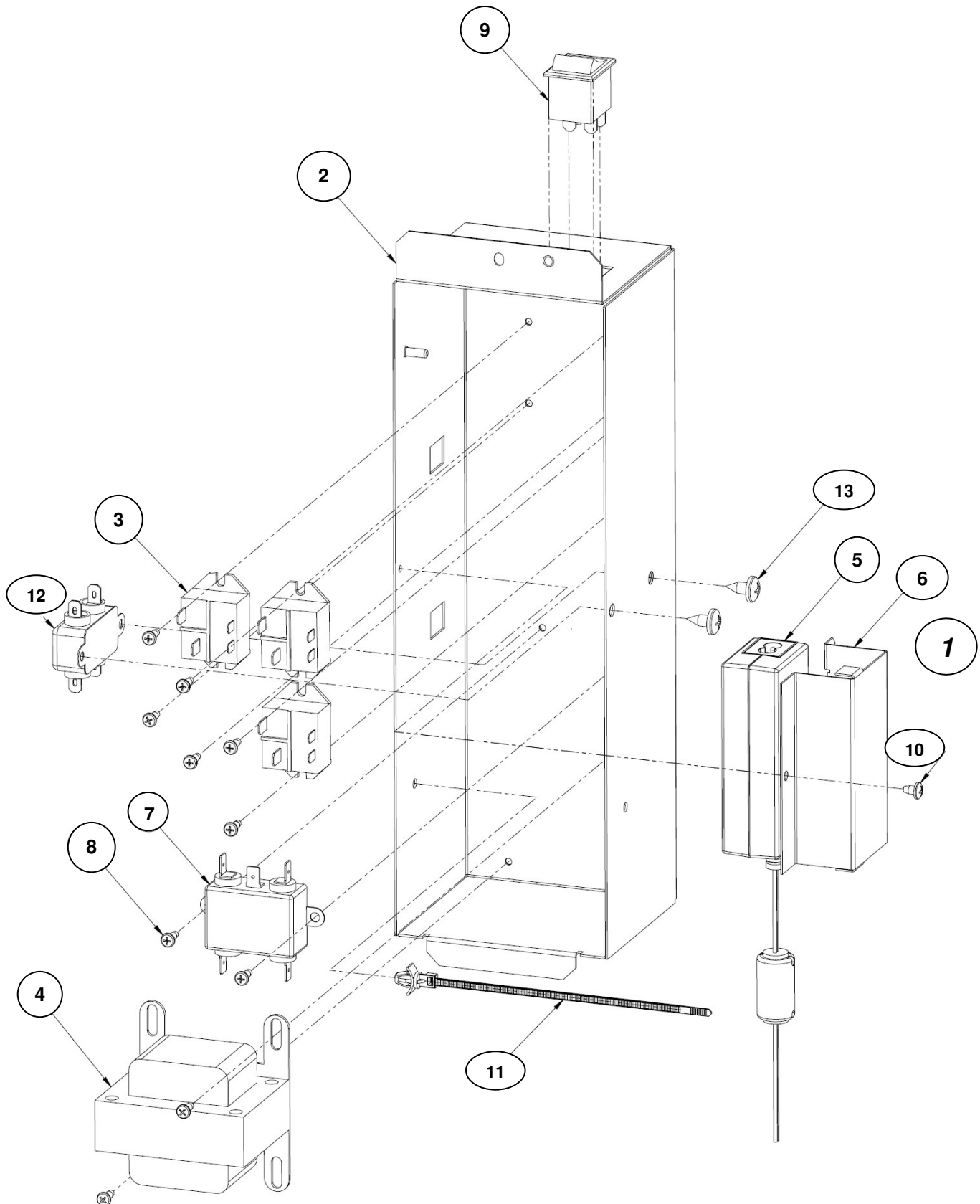


FIGURE 13: POWER PANEL ASSEMBLY – DOMESTIC

TABLE 13: POWER PANEL ASSEMBLY - DOMESTIC

ITEM	PART NUMBER	DESCRIPTION	QTY
1	CR0004739	ASSY, POWER BOX 115V MCMB	1
2	CR0004826	A, STUD PWR SUPPLY MERCH CMB	1
3	AP16700030	RELAY, LIGHT 24V 20/25A	3
4	80492514031	TRANSFMR, CLASS 2 LIMITED CCBV2	1
5	9985050	LED PWR SUPP, SWTCH MODE LINE-24vDC	1
6	CR0004946	BRKT, MOUNTNG 24V PWR SUPPLY	1
7	9989100	FILTER, INTERFERENCE CRN	1
8	AP276-8R6	SCREW, 8-32x3/8 PH T-23 ZN&WAX	10
9	9984642	SWITCH, DPST, 20A, PNL MNT	1
	AP460642	LBL, WARN VOLTAGE DISCONNCT CMB <i>(Not Shown)</i>	1
10	80030434	SCRW, R, 8-32x1/4 PHL PAN SWGFRM B	1
11	CR0006102	TIE, CABLE SELF-MOUNTING	1
12	AP380303	FILTER-LIGHT	1
13	AP216-41R8	SCR PN/NIBS HD TYPE AB 1/4	2

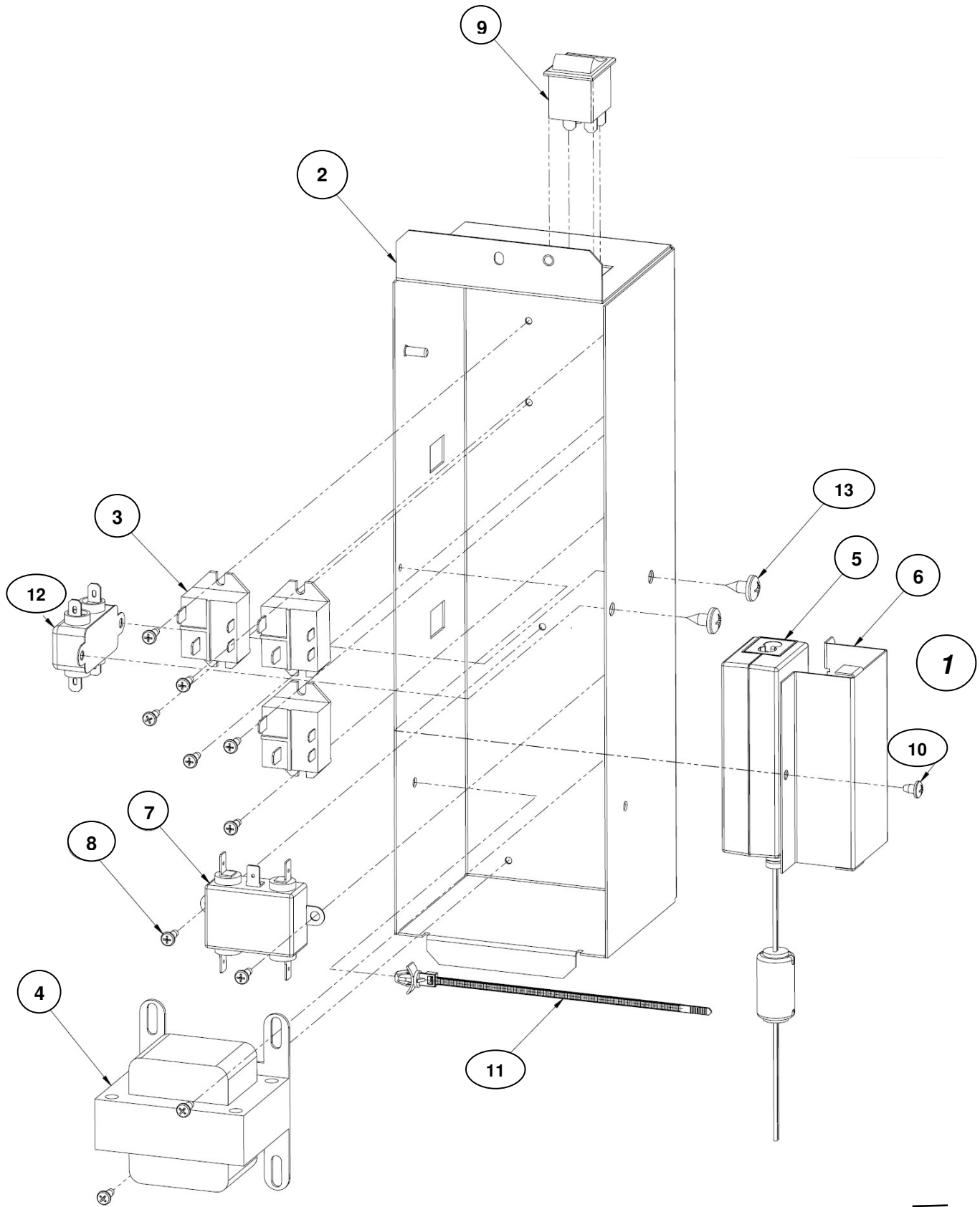


FIGURE 14: POWER PANEL ASSEMBLY – 230v

TABLE 14: POWER PANEL ASSEMBLY - 230v

ITEM	PART NUMBER	DESCRIPTION	QTY
1	CR0005367	ASSY, POWER BOX 220V MCMB	1
2	CR0004826	A, STUD PWR SUPPLY MERCH CMB	1
3	AP16700030	RELAY, LIGHT 24V 20/25A	3
4	80492868011	TRANSFORMER,R, EXPORT	1
5	9985050	LED PWR SUPP,SWTCH MODE LINE-24vDC	1
6	CR0004946	BRKT,MOUNTNG 24V PWR SUPPLY	1
7	9989100	FILTER, INTERFERENCE CRN	1
8	AP276-8R6	SCREW, 8-32x3/8 PH T-23 ZN&WAX	10
9	9984642	SWITCH, DPST, 20A, PNL MNT	1
	AP460642	LBL,WARN VOLTAGE DISCONNCT CMB <i>(Not Shown)</i>	1
10	80030434	SCRW,R,8-32x¼ PHL PAN SWGFRM B	1
11	CR0006102	TIE, CABLE SELF-MOUNTING	1
12	AP380303	FILTER-LIGHT	1
13	AP216-41R8	SCR PN/NIBS HD TYPE AB 1/4	2

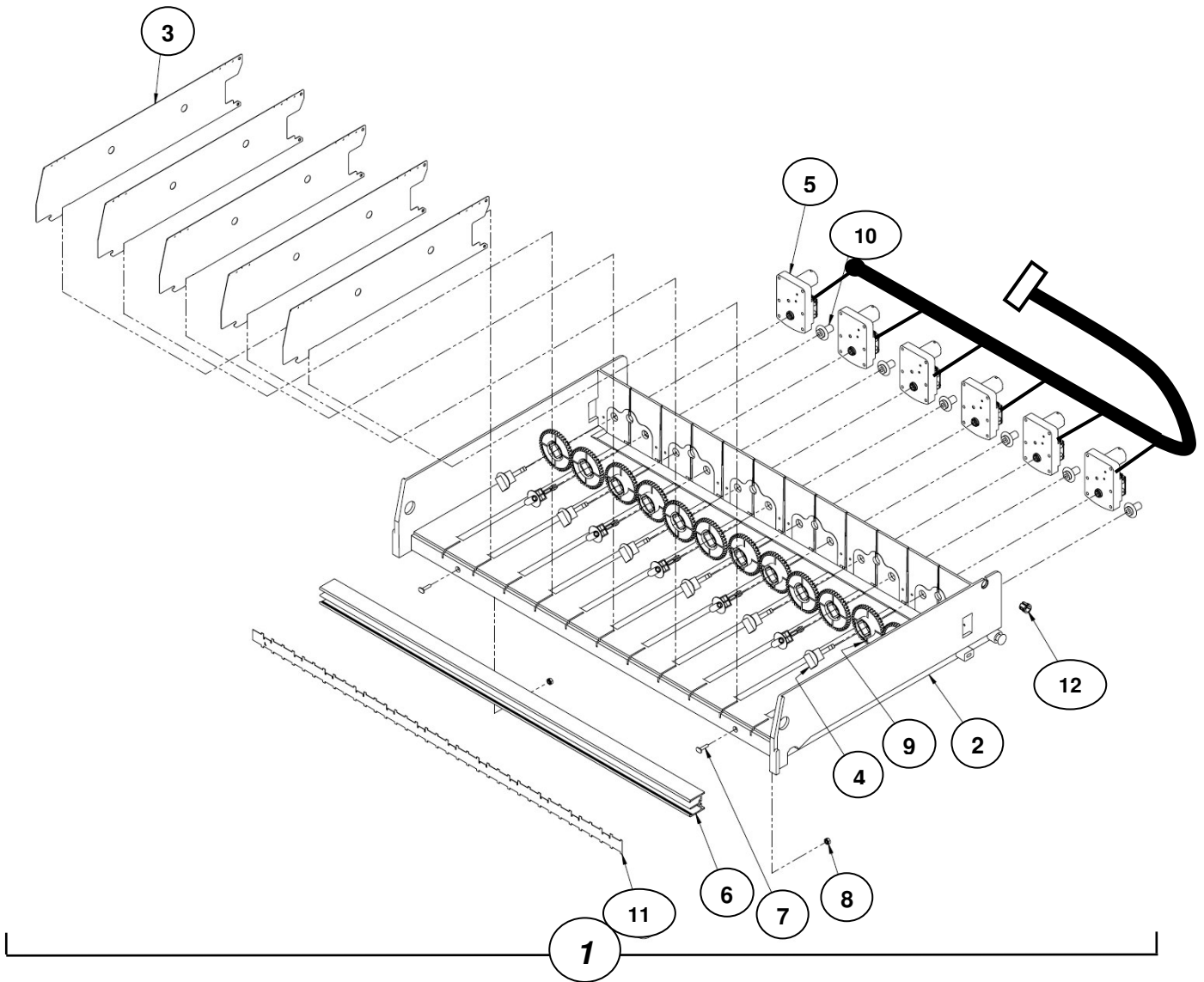


FIGURE 15: SNACK AND CANDY TRAY ASSEMBLY

TABLE 15: TRAY ASSEMBLY SNACK AND CANDY

ITEM	COMPONENT				DESCRIPTION
	448,948 (4W)		449,949 (6W)		
	SNACK	CANDY	SNACK	CANDY	
1	CR0005255	CR0005221	CR0005222	CR0005225	TRAY ASSEMBLY
2	CR0010650	CR0010650	CR0014533	CR0014533	ASM, TRAY W/ROLLERS
	1477097	PART OF #2	PART OF #2	PART OF #2	AXLE-TRAY ROLLER
	1477148	PART OF #2	PART OF #2	PART OF #2	ROLLER-TRAY
	-----	-----	CR0007109	CR0007109	BRKT, AXLE SUPPORT TRAY-LH
	-----	-----	CR0007110	CR0007110	BRKT, AXLE SUPPORT TRAY-RH
	1717001	1717001	-----	-----	TRAY-4/8 DIVISION
	-----	-----	CR0005286	CR0005286	TRAY-6/12 DIVISION
3	1707062	1707062	1707062	1707062	WALL-TRAY
4	1477113	1477113	1477113	1477113	COUPLING-SPIRAL
5	1577038	1577038	1577038	1577038	MOTOR & PC BOARD ASSEMBLY
6	1487009	1487009	CR0005287	CR0005287	PRICE RAIL-SNACK
7	2222031	2222031	2222031	2222031	TEE BOLT-TRIM
8	9900081	9900081	9900081	9900081	NUT #8-32 KEPS ZINC PLATE
9	1477020	1477020	1477020	1477020	GEAR-TRAY
10	1477022	1477022	1477022	1477022	BEARING-COUPLER
11	1687017	1687017	CR0004222	CR0004222	HOLDER-PRICE & SLCTN-MC
12	9989821	9989821	9989821	9989821	BUSHING-0.512 DIAMETER
	4042121	4042121	4042121	4042121	WIRE TIE-#PLT1M-M20 K (Not Shown)
13	4499024	4499025	4499022	4499023	HARNESS,MOTOR COMBO (Not Shown)

SEE BELOW FOR SPIRAL OPTIONS

SPIRAL OPTIONS 28" DEEP MACHINE

MODELS 448, 449						
		COUNTER CLOCKWISE (LEFT HAND)		CLOCKWISE (RIGHT HAND)		
SPIRAL COUNT	RETAINER COLOR	ASSEMBLY	SPIRAL	ASSEMBLY	SPIRAL	RETAINER
4	GREEN	1707049	1707048	1707051	1707050	1457065
5	TAN	1707045	1707044	1707047	1707046	4407817
6	PURPLE	1707041	1707040	1707043	1707042	1477107
7	BROWN	1707058	1707057	1707060	1707059	1477106
8	GRAY	1707016	1707017	1707018	1707019	1477155
10	BLUE	1707004	1707005	1707006	1707007	1457061
12	YELLOW	1707008	1707009	1707010	1707011	1457062
14	RED	1707012	1707013	1707014	1707015	1457063
18	WHITE	1707020	1707021	1707022	1707023	1457064

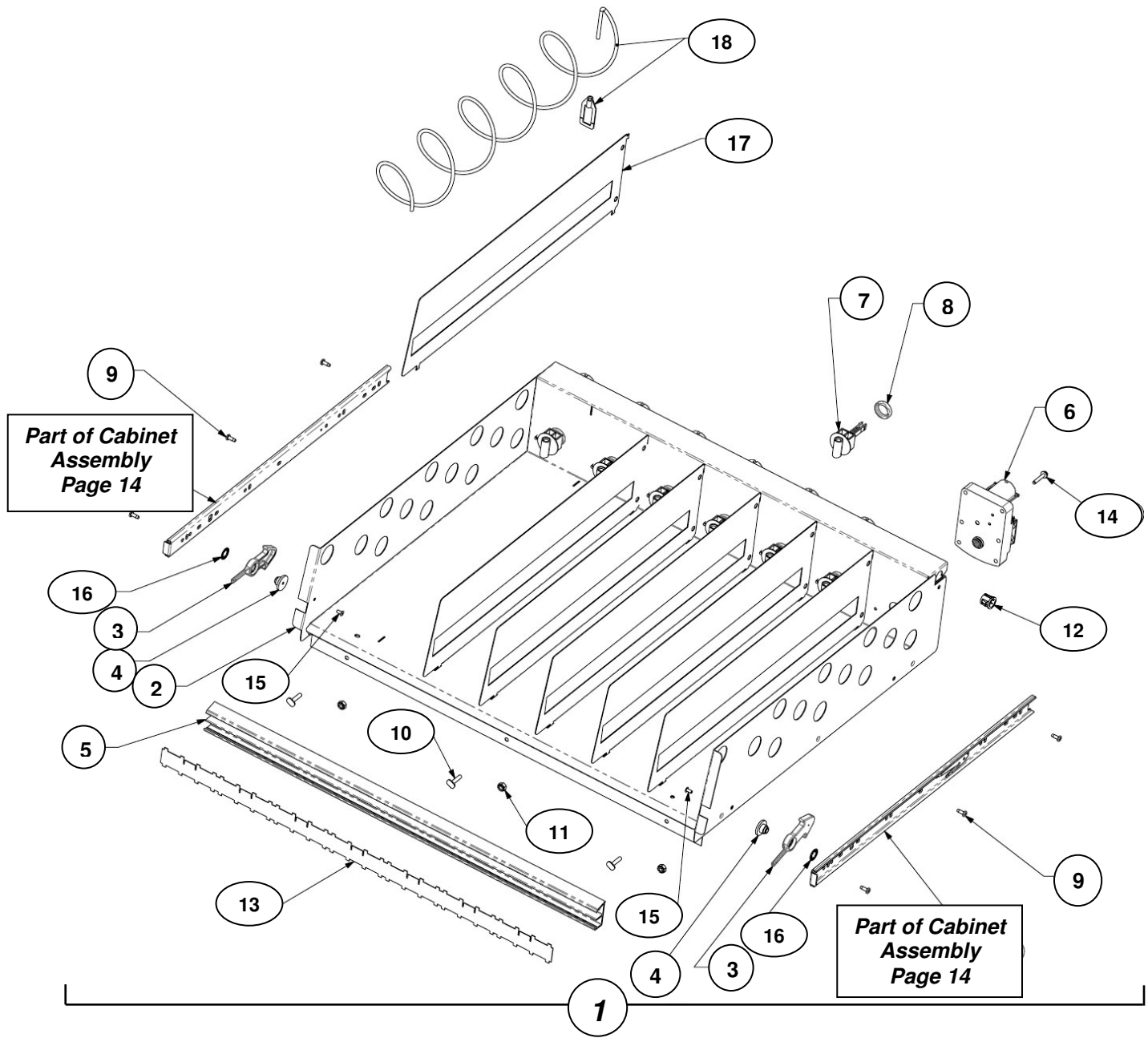


FIGURE 16: BOTTLE TRAY ASSEMBLY-ALL MODELS

TABLE 16: BOTTLE TRAY ASSEMBLY - ALL MODELS

ITEM	448,948 (4W)		449,949 (6W)		DESCRIPTION
	PART NUMBER	QTY	PART NUMBER	QTY	
1	CR0007473		CR0007474		ASSY, BTL TRAY, <i>(Does not include slides)</i>
2	CR0014180	1	CR0014192	1	WELD ASSY, BTL TR
3	1477017	2	1670031	2	LATCH
4	7807004	2	7807004	2	STUD-TRAY LATCH
5	CR0004570	1	CR0004902	1	RAIL-PRICE & SELECTION
	4499034	1	4499033	1	HARNESS, MOTOR BOTTLE <i>(Not Shown)</i>
6	1577038	7	1577038	10	MOTOR & PC BOARD ASSEMBLY
7	1477113	7	1477113	10	COUPLING-SPIRAL
8	4407803	7	4407803	10	SPACER-MOTOR
9	AP276-8R6	6	AP276-8R6	6	8-32X3/8 PN/NIBS HD T23 BL
10	2222031	3	2222031	3	TEE BOLT-TRIM
11	9900081	-	9900081	-	NUT #8-32 KEPS ZINC PLATE
12	9989821	1	9989821	1	BUSHING-0.512 DIAMETER
13	CR0007442	1	CR0007440	1	HOLDER, PRICE
14	1457027	7	1457027	10	SCREW-#8-32 X .81 HEX HD.-
15	3502078	2	3502078	2	RIVET-POP-.125 DIA X .265
16	5201267	2	5201267	2	PUSH ON RETAINER .312
17	CR0008429	6	CR0008429	9	DIVIDER, BOTTLE TRAY
18	CR0009823	7	CR0009823	10	ASSY,5CT LH SPIRAL & TAN RET

TABLE 18: WIRE HARNESSSES

PART NUMBER				DESCRIPTION	CONNECTOR
448E,948E (4W)	449E,949E (6W)	448D,948D (4W)	449D,949D (6W)		
1819015	1819015	1819015	1819015	HARN MDB	J39 – J1
1819018		1819018	1819018	HARN COIN RETURN MOTOR	J6
1679056	1679056	1679056	1679056	HARNESS-DEX INTERFACE	J36
1819007	1819007	1819007	1819007	HRN DRVR BRD SUREVEND	J3 – MOTOR BOARD
1819012	1819012	1819012	1819012	HARNESS KEYPAD	J10
1819017	1819017	1819017	1819017	HARNESS-DOOR SWITCH	J13
1819024	1819024	1819024	1819024	HARNESS-SV DET. TO EMITTER	
1819030	1819030	1819030	1819030	HARNESS-M/CNTRL TO OPTREX	
4499035		4499035	4499035	HARNESS-TEMP SENSOR EXT	J2
4329069	4329069	4329069	4329069	HARNESS-LED-LIGHTING	
4499031	4499031	4499031	4499031	HARNESS, POWER PANEL 24V	
4499004	4499004	4499004	4499004	HARNESS-PWR PNL SWITCH	J100 POWER PANEL
4499005	4499005	4499005	4499005	HARNESS-PWR PNL FILTER	POWER PANEL
9985062	9985062	9985062	9985062	HARNESS-SMPS PWR ADAPTER	
4499008	4499008	4499008	4499008	HARNESS-LAMP	J11
4499009	4499009	4499009	4499009	HARNESS-REFRIGERATION	J5
4499011	4499011	4499011	4499011	HARNESS-COMBO TRAY CHANNEL	
4499021	4499021	4499021	4499021	HARNESS-COMPRESSOR/EVAP FAN	
4499028	4499028	4499028	4499028	HARNESS-BLACK JUMPER	
4499029	4499029	4499029	4499029	HARNESS-WHITE JUMPER	
4499031	4499031	4499031	4499031	HARNESS-PWR PNL 24V	J3 MAIN BOARD
NA		9339001	9339001	LINE CORD INLINE GFCI 14/3 15A	POWER PANEL
4499032		NA	NA	POWER CORD-EURO PLUG	POWER PANEL
4499000		NA	NA	POWER CORD-W/BSI PLUG	POWER PANEL
4499030		NA	NA	HARNESS ASSY-EXEC INTERFACE	J40-J27
4499024	NA	4499024	NA	HARNESS-COMBO 4 MTR TRAY	TRAY CONNECTIONS MOTOR CONTROLLER BOARD
4499025	NA	4499025	NA	HARNESS-8 MOTOR COMBO	
4499034	NA	4499034	NA	HARNESS-7 MOTOR BOTTLE	
NA	4499022	NA	4499022	HARNESS-6 MOTOR COMBO	
NA	4499023	NA	4499023	HARNESS-12 MOTOR COMBO	
NA	4499033	NA	4499033	HARNESS-10 MOTOR BOTTLE	

TABLE 19: BAG ASSEMBLY COMPONENTS		
PART NUMBER	DESCRIPTION	QTY
B4490000	BAG COMPLETE	1
1477014	ROLL-PRICE CENTS(KB)10,000	7
1477015	ROLL-PRICE DOLLARS(KB)14,000/BX	7
1477074	PUSHER-PRODUCT	4
1477083	RETAINER-SPIRAL-WALL	4
1810025	181/981 OPERATOR'S GUIDE	1
2360036	BAG PACKING	1
5920012	BAG-PLASTIC-12 X 15	1
CR0004697	LABEL-ITEM #'s-100's MC	1
CR0005270	LABEL-ITEM #'s-200's MC	1
CR0005271	LABEL-ITEM #'s-300's MC	1
CR0005272	LABEL-ITEM #'s-400's MC	1
CR0005273	LABEL-ITEM #'s-500's MC	1
CR0005274	LABEL-ITEM #'s-600's MC	1
CR0005275	LABEL-ITEM #'s-700's MC	1
CR0006156	LABEL-PRESS SELECTION FOR PRICE	1

TABLE 20: BARRIER DUAL ZONE				
ITEM	PART NUMBER		DESCRIPTION	QTY
	448,948 (4W)	449,949 (6W)		
1	1451097	1451097	SCREW,#8-32X.31 HEX HD.TF	----
2	90190100001	90190100001	TIE,R, WIRE 4" Length	1
3	AP13100018	AP13100018	CLAMP, NYLON CABLE 1/8 DIA	1
4	CR0004389	CR0004389	BRKT, INSULATED SHELF LT M	1
5	CR0004407	CR0004407	BRKT, INSULATED SHELF RT	1
6	CR0004880	CR0004880	SEAL, HORIZ BARRIER	1
7	CR0004735	CR0004832	ASSEMBLY- BARRIER	1
8	7800013	7800013	LABEL-DIVIDER	1
9	CR0004378	CR0004898	SHIELD, DUAL ZONE	1
10	CR0004381	CR0004900	COVER, FRONT EPS SHIELD	1

